



Installation: hazardous areas - Zone 1 / 2 (Gases) - Zone 21 / 22 (Dusts) - Safe Areas
Classification: Group II - Category 2G 2D

READ / RERAC



GOST-R
RTR Ex Proof



FLAME PROOF ELECTRIC RADIATORS - READ

	ATEX 94/9/EC	GOST-R (RTR / RTN)	GOST-K
EXECUTION	⊕ II 2 G Ex d IIC T6 o T5 ⊕ II 2 D Ex tD A21 T85°C o T100°C	1 Ex d IIC T6, T5 DIP A21 TA (85°C - 100°C)	1 Ex d IIC T6, T5 DIP A21 TA (85°C - 100°C)
INSTALLATION	ZONE 1 / 2 - ZONE 21 / 22	ZONE 1 / 2 - ZONE 21 / 22	ZONE 1 / 2 - ZONE 21 / 22
PROTECTION DEGREE	IP66	IP66	IP66
CERTIFICATE REF.	INERIS 04 ATEX 0076	POCC IT. ГБ05.В02538	No. 07/43-269
RULES OF COMPLIANCE	EN 60079-0; EN 60079-1; EN 61241-0; EN 61242-1	ГОСТ Р 51330.9-99 (МЭК 60079-10-95) ГОСТ Р 51330.13-99 (МЭК 60079-14-96) ГОСТ Р МЭК 61241-3-99	ГОСТ Р 51330.0 / 1 / 8 / 14-99 ГОСТ Р МЭК 61241-1-2002

FLAME PROOF ELECTRIC RADIATORS - READ

INDUSTRIAL ELECTRIC HEATERS - RERAC

	ATEX 94/9/EC		CEI / IEC
EXECUTION	⊕ II 2 G Ex d IIC T4	EXECUTION	INDUSTRIAL WEATHERPROOF
INSTALLATION	ZONE 1 / 2 - ZONE 21 / 22	INSTALLATION	-
PROTECTION DEGREE	IP65	PROTECTION DEGREE	IP20
CERTIFICATE REF.	CESI 03 ATEX 082X	CERTIFICATE REF.	-
RULES OF COMPLIANCE	EN 60079-0; EN 60079-1	RULES OF COMPLIANCE	CEI / EN 60598-1

Mechanical characteristics READ

Control box	marine grade copper free aluminium light alloy
Heating unit	stamped and welded steel sheets
Control box painting	epoxy powders grey RAL-9006 colour
Heating unit painting	epoxy powders grey RAL-7035 colour

Mechanical characteristics RERAC

Box	welded steel 8/10mm th.
Front upper and inferior surfaces	steel sheet 15/10mm th. with oblong holes
Painting	ivory RAL-1015 colour

ON REQUEST ACCESSORIES:

- Different supply from standard
- Protection degree IP40 (RERAC...)

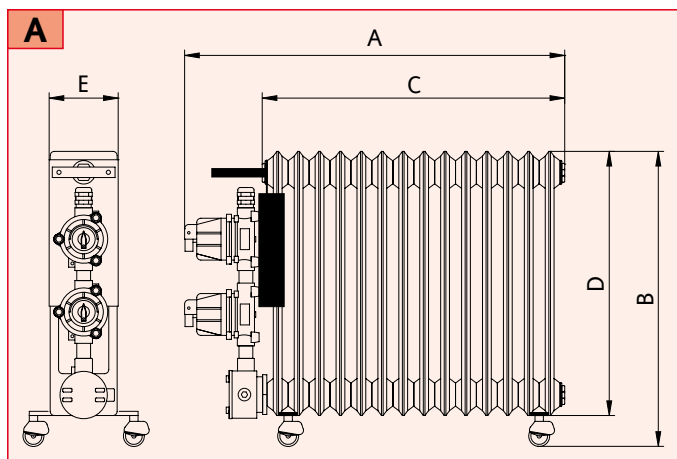
READ / RERAC Technical Features

CODE	A [mm]	B [mm]	C [mm]	D [mm]	E [mm]	WEIGHT [Kg]	DETAIL
READ1000W	640	510	600	675	165	39,00	A
READ2000W	1140	1010	600	675	165	74,00	A
RERAC21000	520	715	490	695	133	11,00	B
RERAC31500	520	715	490	695	133	11,05	B
RERAC42000	520	715	490	695	133	12,00	B
RERACC2500	315	700	288	680	108	6,60	B
RERACC2800	315	700	288	680	108	6,90	B
RERACC3750	315	700	288	680	108	7,20	B
RERACL1900	1060	395	1040	375	107	9,10	C
RERACL21800	1060	395	1040	375	107	9,60	C

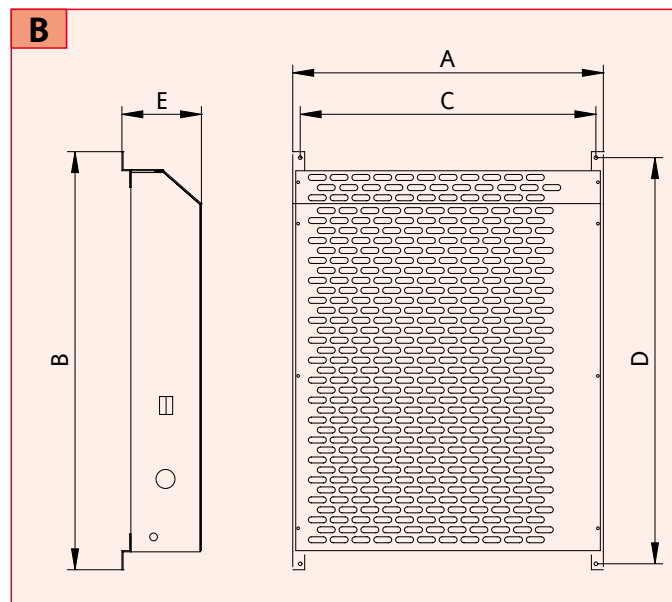
CODE	TENSION	POWER [W]	DETAIL
READ1000W	230V - 50/60Hz	1000	A
READ2000W	230V - 50/60Hz	2000	A

CODE	TENSION	POWER LEVELS [W]		DETAIL
		I	II	
RERAC21000	230V - 50/60Hz	500	1000	B
RERAC31500	230V - 50/60Hz	1000	1500	B
RERAC42000	230V - 50/60Hz	1000	2000	B
RERACC2500	230V - 50/60Hz	250	500	B
RERACC2800	230V - 50/60Hz	550	800	B
RERACC3750	230V - 50/60Hz	500	750	B
RERACL1900	230V - 50/60Hz	900	-	C
RERACL21800	230V - 50/60Hz	900	1800	C

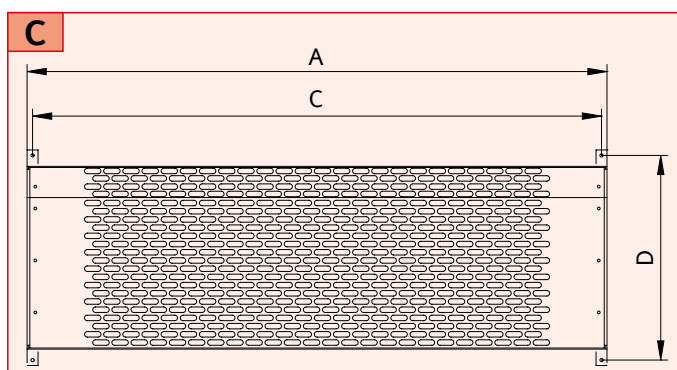
Reference Details



Reference Details



Reference Details



CONSTRUCTION FEATURES:

Electric heater, oil field, movable on pivoting wheels or to be fixed by special supports on the floor or to the wall.
 Two electric armoured resistances unit provided with incorporated thermal circuit breaker located inside one.
 Resistance thermal exchange: 2W/sqcm
 Control gear box containing a three positions change over switch: 0 – 50% - 100% power.
 Adjustable thermostat. Certified cable gland for a feeding armoured 2 Mt. cable 3x2.5sqmm
 Heating system is composed with a group of finned armoured electric resistance, electrically connected to have two heating levels (only RERAC...).

REMARK: Due to the development of the national and international specifications and of the technology, the above technical characteristics showed on this bulletin can be considered as binding on our confirmation only.