



Installation: hazardous areas - Zone 1 / 2 (Gases)
Classification: Group II - Category 2G

MQ-BQ / MQ-BC



	AXIAL FAN	
	ATEX 94/9/EC	GOST-R (RTR / RTN)
EXECUTION	⊕ II 2 G Ex d IIB T3/T4 ⊕ II 2 G Ex d IIC T3/T4	-
INSTALLATION	ZONE 1 / 2	ZONE 1 / 2
PROTECTION DEGREE	IP65	IP65
CERTIFICATE REF.	INERIS 04 ATEX 0095	POCC IT. MГ01.B02998
RULES OF COMPLIANCE	EN 60079-0; EN 60079-1; EN 61241-1	ГОСТ P 51330.9-99 (МЭК 60079-10-95) ГОСТ P 51330.13-99 (МЭК 60079-14-96) ГОСТ P МЭК 61241-3-99

Mechanical characteristics

Air conveyor	steel ring Fe 37B
Impeller	mounted overhung at the motor shaft
Painting	by immersion in bath electrophoresis and subsequent firing in a kiln

APPLICATIONS

- FOR AERATION PLANTS WHERE IT IS NECESSARY TO REMOVE HEAT, SMOKE, STALE AIR
- PLEASE NOTE THAT IN ORDER TO MAKING EFFECTIVE CORRECT WORKING OF FANS, MUST REPLACE THE EXTRACTED AIR WITH SAME VOLUME AIR INTRODUCED IN ENVIRONMENT

ON REQUEST ACCESSORIES:

- External epoxy painting (any colours)
- Threaded cable entry different than standard

MQ-BQ / MQ-BC Technical Features

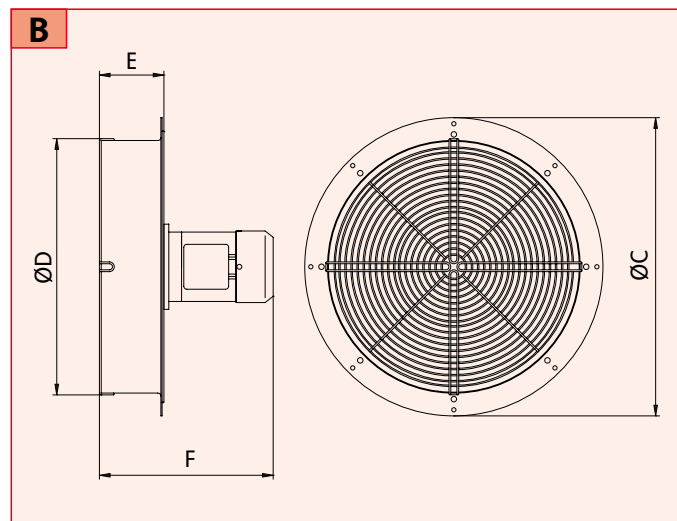
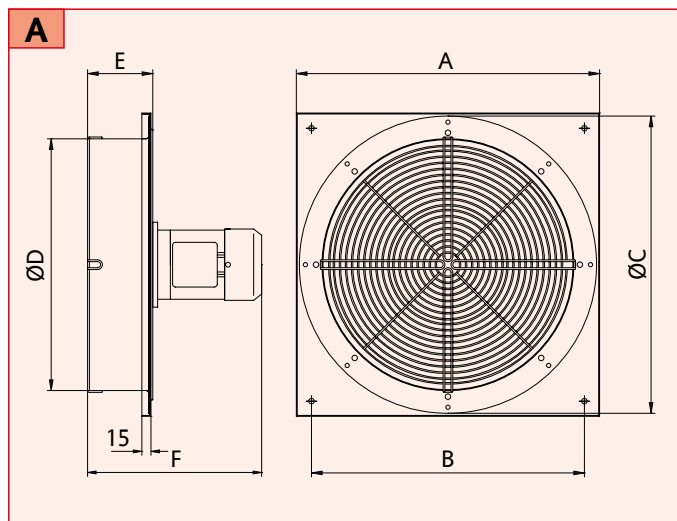
CODE	A [mm]	B [mm]	ØC [mm]	ØD [mm]	E [mm]	F [mm]	WEIGHT [Kg]	DETAIL
MQBQ304	400	350	390	315	102	297	8,00	A
MQBQ354	450	400	440	365	102	297	10,00	A
MQBQ404	500	450	490	415	107	302	11,00	A
MQBQ454	550	500	540	465	108	318	12,00	A
MQBQ504	600	550	590	515	123	333	15,00	A
MQBQ506	600	550	590	515	123	333	18,00	A
MQBQ554	680	630	665	567	125	355	19,00	A
MQBQ556	680	630	665	567	125	355	22,00	A
MQBQ604	730	680	715	617	140	370	24,00	A
MQBQ606	730	680	715	617	140	370	26,00	A
MQBQ304M	400	350	390	315	102	297	8,00	A
MQBQ354M	450	400	440	365	102	297	10,00	A
MQBQ404M	500	450	490	415	107	302	11,00	A
MQBQ454M	550	500	540	465	108	318	12,00	A
MQBQ504M	600	550	590	515	123	333	15,00	A
MQBQ506M	600	550	590	515	123	333	18,00	A
MQBQ554M	680	630	665	567	125	355	19,00	A
MQBQ556M	680	630	665	567	125	355	22,00	A
MQBQ604M	730	680	715	617	140	370	24,00	A
MQBQ606M	730	680	715	617	140	370	26,00	A

CODE	A [mm]	B [mm]	ØC [mm]	ØD [mm]	E [mm]	F [mm]	WEIGHT [Kg]	DETAIL
MQBC304	-	-	390	315	100	295	7,00	B
MQBC354	-	-	440	365	100	295	8,50	B
MQBC404	-	-	490	415	105	300	9,50	B
MQBC454	-	-	540	465	106	316	10,50	B
MQBC504	-	-	590	515	121	331	13,00	B
MQBC506	-	-	590	515	121	331	16,00	B
MQBC554	-	-	665	567	121	331	16,50	B
MQBC556	-	-	665	567	121	331	19,50	B
MQBC604	-	-	715	617	138	368	21,00	B
MQBC606	-	-	715	617	138	368	23,00	B
MQBC304M	-	-	390	315	100	295	7,00	B
MQBC354M	-	-	440	365	100	295	8,50	B
MQBC404M	-	-	490	415	105	300	9,50	B
MQBC454M	-	-	540	465	106	316	10,50	B
MQBC504M	-	-	590	515	121	331	13,00	B
MQBC506M	-	-	590	515	121	331	16,00	B
MQBC554M	-	-	665	567	121	331	16,50	B
MQBC556M	-	-	665	567	121	331	19,50	B
MQBC604M	-	-	715	617	138	368	21,00	B
MQBC606M	-	-	715	617	138	368	23,00	B

CODE	URNS/min.	VOLTAGE	Hp.	m³/h	DETAIL
MQBQ304	1400	400V - 50Hz	0,18	1750	A
MQBQ354	1400	400V - 50Hz	0,25	3000	A
MQBQ404	1400	400V - 50Hz	0,25	4500	A
MQBQ454	1400	400V - 50Hz	0,33	5500	A
MQBQ504	1400	400V - 50Hz	0,5	8000	A
MQBQ506	900	400V - 50Hz	0,33	5500	A
MQBQ554	1400	400V - 50Hz	0,75	12000	A
MQBQ556	900	400V - 50Hz	0,5	700	A
MQBQ604	1400	400V - 50Hz	1,00	15000	A
MQBQ606	900	400V - 50Hz	0,75	10000	A
MQBQ304M	1400	230V - 50Hz	0,18	1750	A
MQBQ354M	1400	230V - 50Hz	0,25	3000	A
MQBQ404M	1400	230V - 50Hz	0,25	4500	A
MQBQ454M	1400	230V - 50Hz	0,33	5500	A
MQBQ504M	1400	230V - 50Hz	0,5	8000	A
MQBQ506M	900	230V - 50Hz	0,33	5500	A
MQBQ554M	1400	230V - 50Hz	0,75	12000	A
MQBQ556M	900	230V - 50Hz	0,5	700	A
MQBQ604M	1400	230V - 50Hz	1,00	15000	A
MQBQ606M	900	230V - 50Hz	0,75	10000	A

CODE	URNS/min.	VOLTAGE	Hp.	m³/h	DETAIL
MQBC304	1400	400V - 50Hz	0,18	1750	B
MQBC354	1400	400V - 50Hz	0,25	3000	B
MQBC404	1400	400V - 50Hz	0,25	4500	B
MQBC454	1400	400V - 50Hz	0,33	5500	B
MQBC504	1400	400V - 50Hz	0,5	8000	B
MQBC506	900	400V - 50Hz	0,33	5500	B
MQBC554	1400	400V - 50Hz	0,75	12000	B
MQBC556	900	400V - 50Hz	0,5	700	B
MQBC604	1400	400V - 50Hz	1,00	15000	B
MQBC606	900	400V - 50Hz	0,75	10000	B
MQBC304M	1400	230V - 50Hz	0,18	1750	B
MQBC354M	1400	230V - 50Hz	0,25	3000	B
MQBC404M	1400	230V - 50Hz	0,25	4500	B
MQBC454M	1400	230V - 50Hz	0,33	5500	B
MQBC504M	1400	230V - 50Hz	0,5	8000	B
MQBC506M	900	230V - 50Hz	0,33	5500	B
MQBC554M	1400	230V - 50Hz	0,75	12000	B
MQBC556M	900	230V - 50Hz	0,5	700	B
MQBC604M	1400	230V - 50Hz	1,00	15000	B
MQBC606M	900	230V - 50Hz	0,75	10000	B

Reference Details



REMARK:

Due to the development of the national and international specifications and of the technology, the above technical characteristics showed on this bulletin can be considered as binding on our confirmation only.