

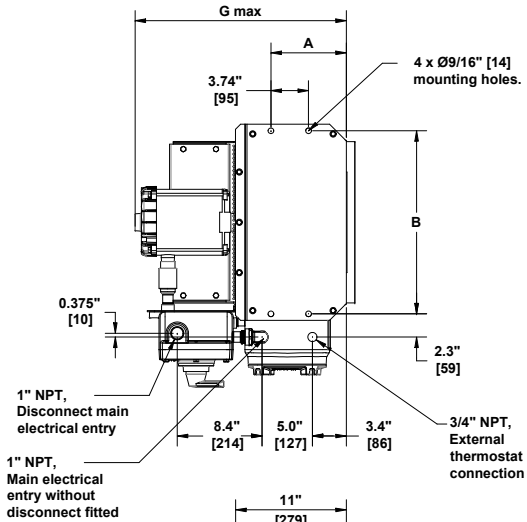
Notes

- Net weight**
 Without Disconnect Switch
 5 & 7.5kW = 129 lbs (58.5 kg)
 10 kW = 133 lbs (60.3 kg)
 With Disconnect Switch
 5 & 7.5kW = 142 lbs (64.4 kg)
 10 kW = 146 lbs (66.2 kg)
- Shipping Weight**
 Without Disconnect Switch
 5 & 7.5kW = 188 lbs (85.3 kg)
 10 kW = 192 lbs (87.1 kg)
 With Disconnect Switch
 5 & 7.5kW = 201 lbs (91.2 kg)
 10 kW = 205 lbs (93.0 kg)

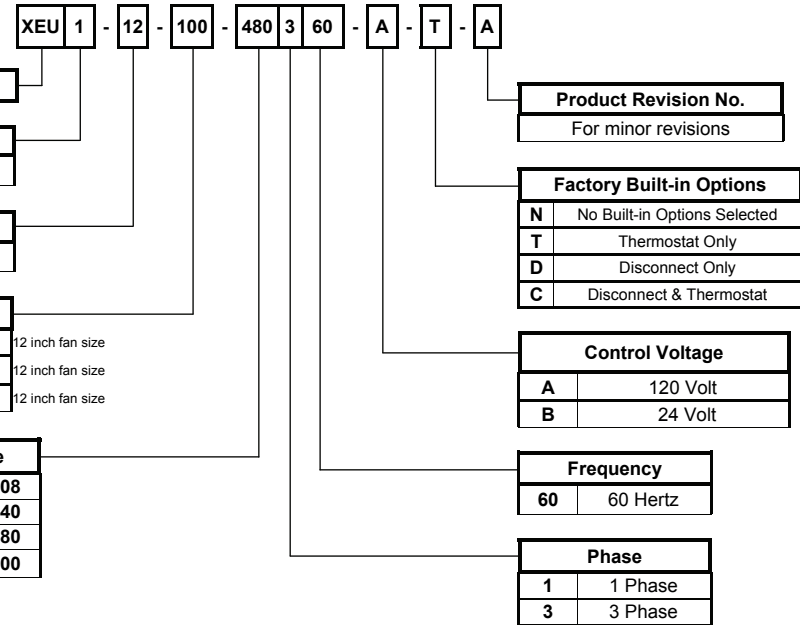
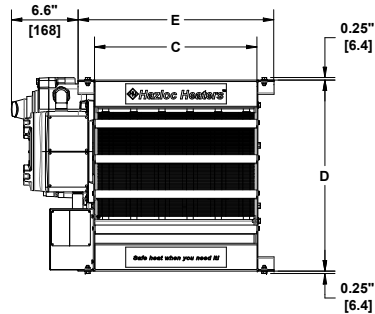
- Ambient Temperature Limits**
 Operating: -40°F to 104°F (-40°C to 40°C)
 Storage: -40°F to 140°F (-40°C to 60°C)
- Air Delivery**
 5 kW = 400 cfm (680 m³/hr)
 7.5 kW = 600 cfm (1019 m³/hr)
 10 kW = 800 cfm (1359 m³/hr)
- Hazardous Location Classification**
 Class I, Divisions 1 & 2, Groups C & D
 Class II, Divisions 1 & 2, Groups F & G
 Temperature Code T3B
 Class I, Zones 1 & 2, Groups IIA & IIB, T3
- Materials**
 Cabinet: 14 Ga, Yellow Epoxy/Polyester Powder Coated
 Core: Carbon Steel with Copper-free Integral Aluminum Fins

Table 1 Specifications for XEU1 Heater, 12" Fan Size

KW (BTU/HR)	Line Volt	PH Ø	Fan Dia. (inch)	Total Amps	Minimum Circuit Ampacity	Max Fuse Size	Supply Wire 90°C (AWG)	BASE MODEL	Control Voltage 120 V or 24 V		Built-in Thermo- Stat	Wall Mount Thermo- Stat	Built-in Disconnect Switch	Wall Mount Disconnect Switch
									120 <input checked="" type="checkbox"/>	24 <input checked="" type="checkbox"/>				
5 (17060)	208	1	12	26.5	33.2	35	8	XEU1-12-050-208160	<input type="checkbox"/>	<input type="checkbox"/>	<input type="checkbox"/>	<input type="checkbox"/>	<input type="checkbox"/>	<input type="checkbox"/>
				14.6	18.2	20	12	XEU1-12-050-208360	<input type="checkbox"/>	<input type="checkbox"/>	<input type="checkbox"/>	<input type="checkbox"/>	<input type="checkbox"/>	<input type="checkbox"/>
	240	3	23.3	29.2	30	10	XEU1-12-050-240160	<input type="checkbox"/>	<input type="checkbox"/>	<input type="checkbox"/>	<input type="checkbox"/>	<input type="checkbox"/>	<input type="checkbox"/>	
			12.7	15.9	20	12	XEU1-12-050-240360	<input type="checkbox"/>	<input type="checkbox"/>	<input type="checkbox"/>	<input type="checkbox"/>	<input type="checkbox"/>	<input type="checkbox"/>	
	480	3	6.7	8.4	15	14	XEU1-12-050-480360	<input type="checkbox"/>	<input type="checkbox"/>	<input type="checkbox"/>	<input type="checkbox"/>	<input type="checkbox"/>	<input type="checkbox"/>	
600	3	5.5	6.9	15	14	XEU1-12-050-600360	<input type="checkbox"/>	<input type="checkbox"/>	<input type="checkbox"/>	<input type="checkbox"/>	<input type="checkbox"/>	<input type="checkbox"/>	<input type="checkbox"/>	
7.5 (25590)	208	1	12	38.6	48.2	50	6	XEU1-12-075-208160	<input type="checkbox"/>	<input type="checkbox"/>	<input type="checkbox"/>	<input type="checkbox"/>	<input type="checkbox"/>	<input type="checkbox"/>
				21.5	26.9	30	10	XEU1-12-075-208360	<input type="checkbox"/>	<input type="checkbox"/>	<input type="checkbox"/>	<input type="checkbox"/>	<input type="checkbox"/>	<input type="checkbox"/>
	240	3	33.8	42.2	50	8	XEU1-12-075-240160	<input type="checkbox"/>	<input type="checkbox"/>	<input type="checkbox"/>	<input type="checkbox"/>	<input type="checkbox"/>	<input type="checkbox"/>	
			18.7	23.4	30	10	XEU1-12-075-240360	<input type="checkbox"/>	<input type="checkbox"/>	<input type="checkbox"/>	<input type="checkbox"/>	<input type="checkbox"/>	<input type="checkbox"/>	
	480	3	9.7	12.2	15	14	XEU1-12-075-480360	<input type="checkbox"/>	<input type="checkbox"/>	<input type="checkbox"/>	<input type="checkbox"/>	<input type="checkbox"/>	<input type="checkbox"/>	
600	3	7.9	9.9	15	14	XEU1-12-075-600360	<input type="checkbox"/>	<input type="checkbox"/>	<input type="checkbox"/>	<input type="checkbox"/>	<input type="checkbox"/>	<input type="checkbox"/>	<input type="checkbox"/>	
10 (34120)	208	3	12	28.5	35.6	40	8	XEU1-12-100-208360	<input type="checkbox"/>	<input type="checkbox"/>	<input type="checkbox"/>	<input type="checkbox"/>	<input type="checkbox"/>	<input type="checkbox"/>
				44.2	55.2	60	6	XEU1-12-100-240160	<input type="checkbox"/>	<input type="checkbox"/>	<input type="checkbox"/>	<input type="checkbox"/>	<input type="checkbox"/>	<input type="checkbox"/>
	240	3	24.8	30.9	35	8	XEU1-12-100-240360	<input type="checkbox"/>	<input type="checkbox"/>	<input type="checkbox"/>	<input type="checkbox"/>	<input type="checkbox"/>	<input type="checkbox"/>	
			12.7	15.9	20	12	XEU1-12-100-480360	<input type="checkbox"/>	<input type="checkbox"/>	<input type="checkbox"/>	<input type="checkbox"/>	<input type="checkbox"/>	<input type="checkbox"/>	
	600	3	10.3	12.9	15	14	XEU1-12-100-600360	<input type="checkbox"/>	<input type="checkbox"/>	<input type="checkbox"/>	<input type="checkbox"/>	<input type="checkbox"/>	<input type="checkbox"/>	



Heater Size	12 (5-10kW)
Dim.	Inches (mm)
A	7.5 (190.5)
B	18.19 (462)
C	16.3 (414)
D	19 (483)
E	19.45 (494)
F	3.1 (79)
G	22.25 (565)



Model Series
XEU 1

Generation
12

Fan Size
12

Power Output
5 kW 050
7.5 kW 075
10 kW 100

Heater Line Voltage
208 Volts 208
240 Volts 240
480 Volts 480
600 Volts 600

Product Revision No.
For minor revisions

Factory Built-in Options
 N No Built-in Options Selected
 T Thermostat Only
 D Disconnect Only
 C Disconnect & Thermostat

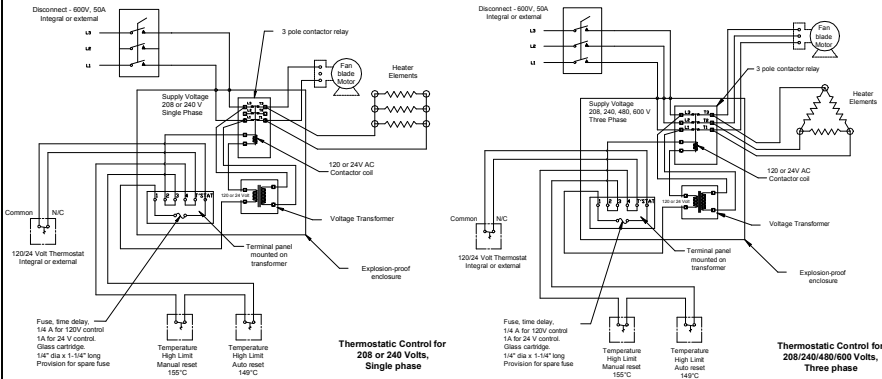
Control Voltage
 A 120 Volt
 B 24 Volt

Frequency
60 60 Hertz

Phase
 1 1 Phase
 3 3 Phase

Table 1 Specifications for XEU1 Heater, 16" Fan Size

KW (BTU/HR)	Line Volt	PH Ø	Fan Dia. (inch)	Total Amps	Minimum Circuit Ampacity	Max Fuse Size	Supply Wire 90°C (AWG)	BASE MODEL	Control Voltage 120 V or 24 V		Built-in Thermo- Stat	Wall Mount Thermo- Stat	Built-in Disconnect Switch	Wall Mount Disconnect Switch
									120 <input checked="" type="checkbox"/>	24 <input checked="" type="checkbox"/>				
15 (51180)	208	3	16	42.3	52.9	60	6	XEU1-16-150-208360	<input type="checkbox"/>	<input type="checkbox"/>	<input type="checkbox"/>	<input type="checkbox"/>	<input type="checkbox"/>	<input type="checkbox"/>
	240	3		36.8	46.0	50	6	XEU1-16-150-240360	<input type="checkbox"/>	<input type="checkbox"/>	<input type="checkbox"/>	<input type="checkbox"/>	<input type="checkbox"/>	<input type="checkbox"/>
	480	3		18.7	23.4	25	10	XEU1-16-150-480360	<input type="checkbox"/>	<input type="checkbox"/>	<input type="checkbox"/>	<input type="checkbox"/>	<input type="checkbox"/>	<input type="checkbox"/>
	600	3		15.1	18.9	20	12	XEU1-16-150-600360	<input type="checkbox"/>	<input type="checkbox"/>	<input type="checkbox"/>	<input type="checkbox"/>	<input type="checkbox"/>	<input type="checkbox"/>
20 (68240)	480	3	16	24.8	30.9	35	8	XEU1-16-200-480360	<input type="checkbox"/>	<input type="checkbox"/>	<input type="checkbox"/>	<input type="checkbox"/>	<input type="checkbox"/>	<input type="checkbox"/>
	600	3		19.9	24.9	25	10	XEU1-16-200-600360	<input type="checkbox"/>	<input type="checkbox"/>	<input type="checkbox"/>	<input type="checkbox"/>	<input type="checkbox"/>	<input type="checkbox"/>



Notes

- Net weight**
Without Disconnect Switch: 161 lbs (73.0 kg)
With Disconnect Switch: 174 lbs (78.9 kg)
- Shipping Weight**
Without Disconnect Switch: 224 lbs (101.6 kg)
With Disconnect Switch: 237 lbs (107.5 kg)
- Ambient Temperature Limits**
Operating: -40°F to 104°F (-40°C to 40°C)
Storage: -40°F to 140°F (-40°C to 60°C)

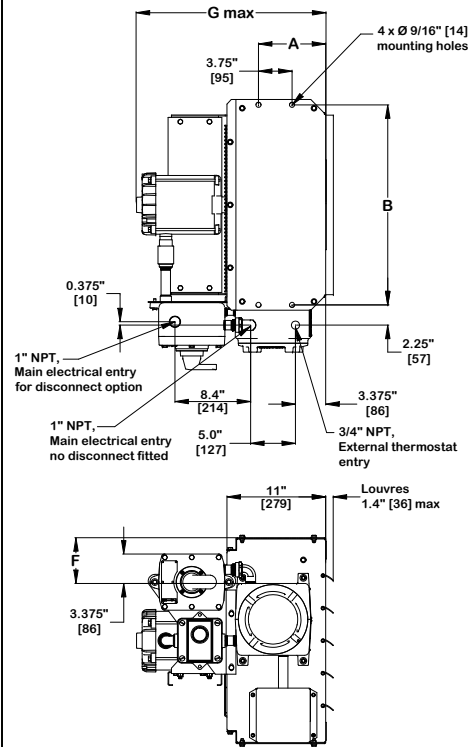
- Air Delivery**
15 kW = 1200 cfm (2039 m³/hr)
20 kW = 1700 cfm (2888 m³/hr)

5. Hazardous Location Classification

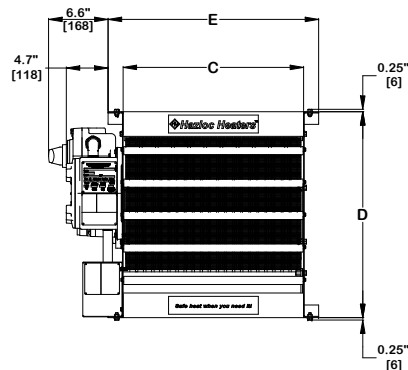
Class I, Divisions 1 & 2, Groups C & D
Class II, Divisions 1 & 2, Groups F & G
Temperature Code T3B
Class I, Zones 1 & 2, Groups IIA & IIB, T3

6. Materials

Cabinet: 14 Ga, Yellow Epoxy/Polyester Powder Coated
Core: Carbon Steel with Copper-free Integral Aluminum Fins



Heater Size	16 (15-20kW)
Dim.	Inches (mm)
A	7.5 (190.5)
B	22.28 (566)
C	20.28 (515)
D	23 (584)
E	23.46 (596)
F	5.1 (130)
G	22.25 (565)

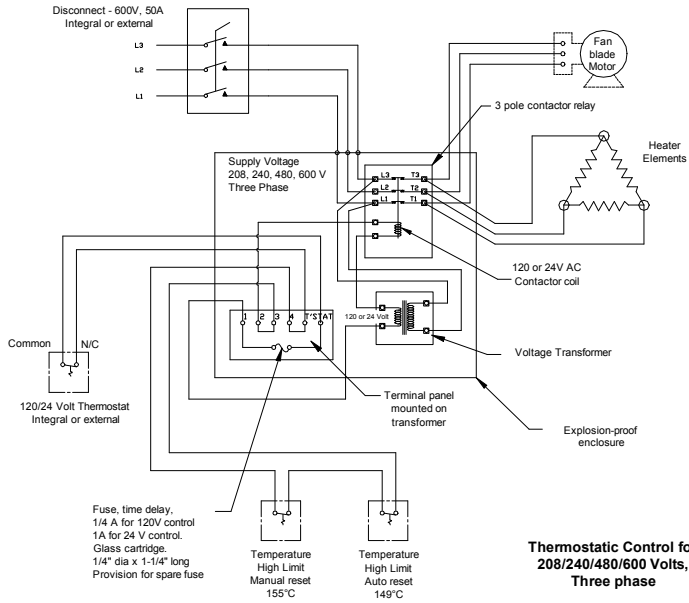


XEU 1 - 16 - 150 - 480 3 60 - A - T - A

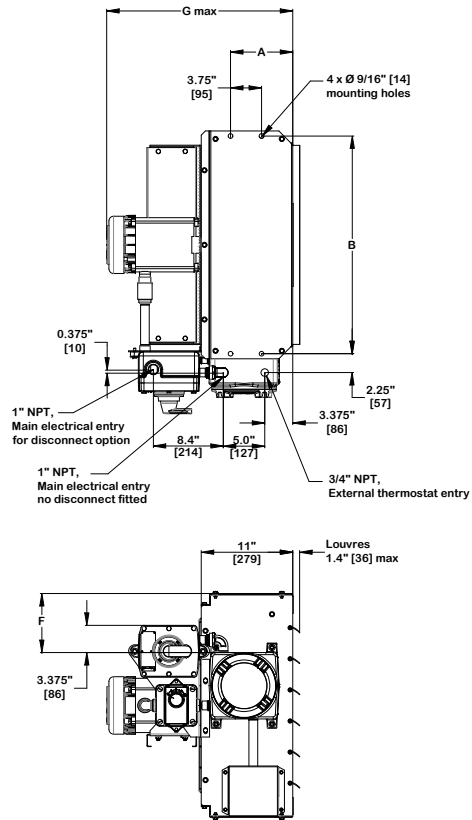
Model Series	XEU 1 - 16 - 150 - 480 3 60 - A - T - A	Product Revision No.	For minor revisions								
Generation	For major revisions	Factory Built-in Options	<table border="1"> <tr> <td>N</td> <td>No Built-in Options Selected</td> </tr> <tr> <td>T</td> <td>Thermostat Only</td> </tr> <tr> <td>D</td> <td>Disconnect Only</td> </tr> <tr> <td>C</td> <td>Disconnect & Thermostat</td> </tr> </table>	N	No Built-in Options Selected	T	Thermostat Only	D	Disconnect Only	C	Disconnect & Thermostat
N	No Built-in Options Selected										
T	Thermostat Only										
D	Disconnect Only										
C	Disconnect & Thermostat										
Fan Size	16 Inches 16	Control Voltage	<table border="1"> <tr> <td>A</td> <td>120 Volt</td> </tr> <tr> <td>B</td> <td>24 Volt</td> </tr> </table>	A	120 Volt	B	24 Volt				
A	120 Volt										
B	24 Volt										
Power Output	<table border="1"> <tr> <td>15 kW</td> <td>150</td> </tr> <tr> <td>20 kW</td> <td>200</td> </tr> </table>	15 kW	150	20 kW	200	Frequency	60 60 Hertz				
15 kW	150										
20 kW	200										
Heater Line Voltage	<table border="1"> <tr> <td>208 Volts</td> <td>208</td> </tr> <tr> <td>240 Volts</td> <td>240</td> </tr> <tr> <td>480 Volts</td> <td>480</td> </tr> <tr> <td>600 Volts</td> <td>600</td> </tr> </table>	208 Volts	208	240 Volts	240	480 Volts	480	600 Volts	600	Phase	3 3 Phase
208 Volts	208										
240 Volts	240										
480 Volts	480										
600 Volts	600										

Approval Drawing	XEU1, 16" Fan Size Heater
January 8, 2014	Version 2.0
Hazloc Heaters Inc.	Calgary, Alberta





Thermostatic Control for 208/240/480/600 Volts, Three phase



Heater Size	20 (25-35kW)
Dim.	Inches (mm)
A	7.5 (190.5)
B	26.26 (667)
C	24.29 (617)
D	27 (686)
E	27.44 (697)
F	7.1 (180)
G	23.25 (591)

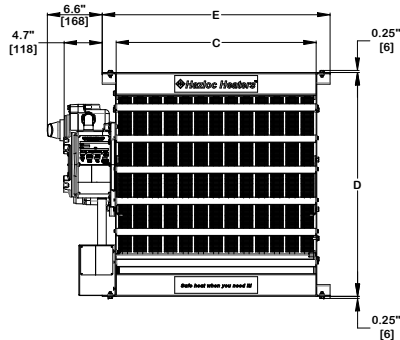


Table 1 Specifications for XEU1 Heater, 20" Fan Size

KW (BTU/HR)	Line Volt	PH	Fan Dia. (inch)	Total Amps	Minimum Circuit Ampacity	Max Fuse Size	Supply Wire 90°C (AWG)	BASE MODEL	Control Voltage 120 V or 24 V		Built-in Thermo-Stat	Wall Mount Thermo-Stat	Built-in Disconnect Switch	Wall Mount Disconnect Switch
									120	24				
25 (85300)	480	3	20	31.1	38.8	40	8	XEU1-20-250-480360	<input type="checkbox"/>	<input type="checkbox"/>	<input checked="" type="checkbox"/>	<input checked="" type="checkbox"/>	<input type="checkbox"/>	<input type="checkbox"/>
	600	3		25.1	31.3	35	8	XEU1-20-250-600360	<input type="checkbox"/>	<input type="checkbox"/>	<input checked="" type="checkbox"/>	<input checked="" type="checkbox"/>	<input type="checkbox"/>	<input type="checkbox"/>
30 (102360)	480	3	20	37.1	46.4	50	6	XEU1-20-300-480360	<input type="checkbox"/>	<input type="checkbox"/>	<input checked="" type="checkbox"/>	<input checked="" type="checkbox"/>	<input type="checkbox"/>	<input type="checkbox"/>
	600	3		29.9	37.3	40	8	XEU1-20-300-600360	<input type="checkbox"/>	<input type="checkbox"/>	<input checked="" type="checkbox"/>	<input checked="" type="checkbox"/>	<input type="checkbox"/>	<input type="checkbox"/>
35 (119420)	480	3	20	43.1	53.9	60	6	XEU1-20-350-480360	<input type="checkbox"/>	<input type="checkbox"/>	<input checked="" type="checkbox"/>	<input checked="" type="checkbox"/>	<input type="checkbox"/>	<input type="checkbox"/>
	600	3		34.7	43.3	50	6	XEU1-20-350-600360	<input type="checkbox"/>	<input type="checkbox"/>	<input checked="" type="checkbox"/>	<input checked="" type="checkbox"/>	<input type="checkbox"/>	<input type="checkbox"/>

Notes

1. Net weight

Without Disconnect Switch	192 lbs (87.1 kg)
With Disconnect Switch	205 lbs (92.9 kg)

2. Shipping Weight

Without Disconnect Switch	261 lbs (118.4 kg)
With Disconnect Switch	274 lbs (124.3 kg)

3. Ambient Temperature Limits

Operating: -40°F to 104°F (-40°C to 40°C)
Storage: -40°F to 140°F (-40°C to 60°C)

4. Air Delivery

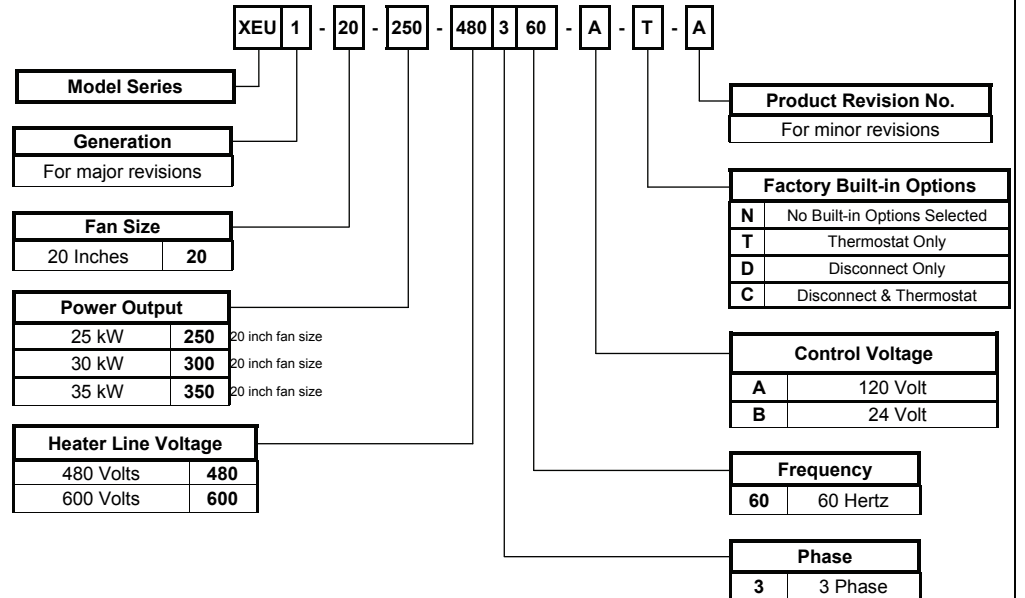
25 kW = 2100 cfm (3568 m³/hr)
30 kW = 3000 cfm (5097 m³/hr)
35 kW = 3000 cfm (5097 m³/hr)

5. Hazardous Location Classification

Class I, Divisions 1 & 2, Groups C & D
Class II, Divisions 1 & 2, Groups F & G
Temperature Code T3B (35 kW = T3A)
Class I, Zones 1 & 2, Groups IIA & IIB, T3

6. Materials

Cabinet: 14 Ga, Yellow Epoxy/Polyester Powder Coated
Core: Carbon Steel with Copper-free Integral Aluminum Fins



Approval Drawing	XEU1, 20" Fan Size Heater
January 8, 2014	Version 2.0
Hazloc Heaters Inc.	Calgary, Alberta

