

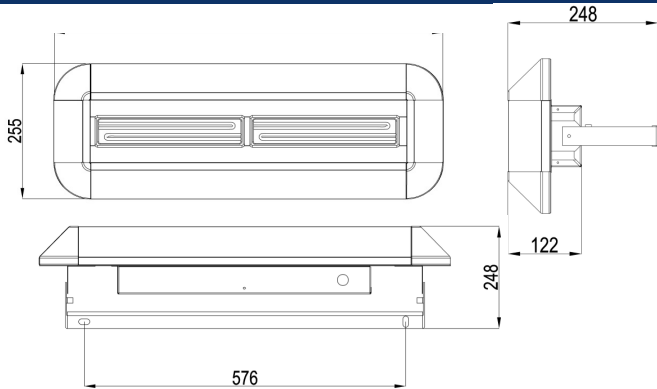
# CXD Ceramic Heaters



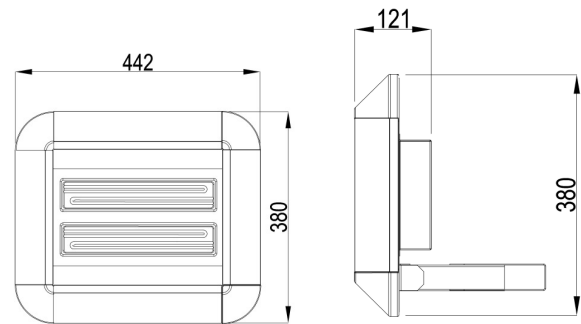
## CXD2000V, CXD2000H

- Robust Ceramic elements
- Can be mounted inside or outside
- Silent operation
- No visible light output
- Adjustable mounting bracket
- Fitted guard included
- Choice of vertical or horizontal 2kW models

### CXD2000H Details



### CXD2000V Details



### Technical Details

<b>Element:</b>	Ceramic encased Aluminium coil operating at 700°C
<b>Reflector:</b>	Specular quality electrochemically brightened aluminium (purity 99%+)
<b>Body:</b>	Powder coated steel Finished in High Temperature Matt Black IPX4 rated
<b>Element Guard:</b>	Chromium plated mild steel (standard)
<b>Warranty:</b>	12 months

Model	CXD2000V	CXD2000H
Heat Output	2kW	2kW
No. Elements	2	2
Supply voltage	230V 1P&N	230V 1P&N
Height (mm)	380	255
Length (mm)	442	735
Weight (kg)	5.3	5.1
Minimum Height (m)	1.8	1.8
Recommended Height (m)	2.0	2.0

### Accessories



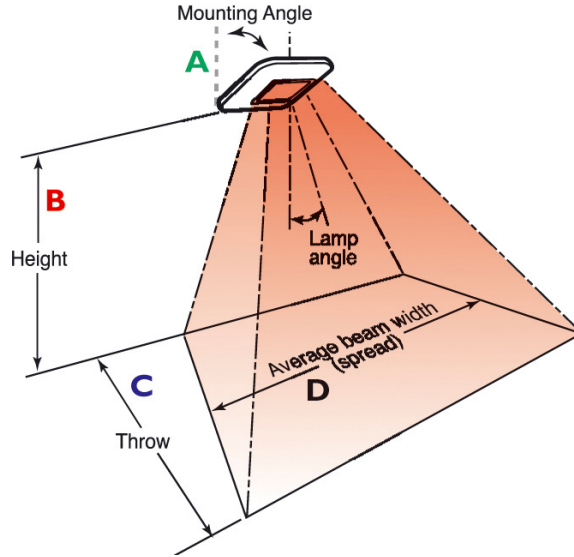
Can be used with  
Dimplex Passive  
Infra Red detector  
switch DX4131

### Additional Information

Ceramic elements provide long wave infrared radiation and operate at temperatures of 700°C.

Heaters body is powder coated steel, finished in matt black.

## Heater Coverage



## Sizing Chart

### CXD Spread & Throw Chart

Model	CXD2000H		CXD2000V	
Height B	Throw C	Spread D	Throw C	Spread D
1.8m	1.8m	1.3m	1.6m	1.1m
2.0m	2.0m	1.4m	1.8m	1.3m
2.3m	2.2m	1.6m	1.9m	1.4m
2.5m	2.4m	1.8m	2.1m	1.6m
2.7m	2.5m	1.9m	2.3m	1.7m

### CXD Heat Intensity

High Intensity	80 W/m <sup>2</sup>
Medium Intensity	65 W/m <sup>2</sup>
Low Intensity	50 W/m <sup>2</sup>

A All figures are for 45° mounting angles.

### Key

Inactive	(churches/dressing rooms)
Light work	(workshops / desk working / despatch areas)
Heavy work	(factories / loading bays / open air construction)

Note: All the above applications are dependant on the area heated and the heat-loss within the building structure.

Please contact our heating design service with your requirements.

