

The DEETER Group®

Liquid Vertical Continuous Sensor



The LVCS is a liquid level sensor featuring a float that can move vertically along a stem. Sensors in the stem detect small step-changes in level and, particularly over longer lengths, the output approximates to a continuous analogue signal.

The following range of analogue outputs are supplied as standard: 0-2V, 0-4V, 0-10V and the industrial standard 4-20mA current loop.

The standard LVCS is designed to fit a 21mm hole in the top of a tank, secured by an aluminium head, and has a ½ inch BSP thread. Sensing resolution is 5mm with measuring lengths of 250mm, 500mm, 750mm and 1m.

All fittings inside the tank are made from stainless steel 316L and are welded to make a tough and durable sensor. The LVCS is therefore ideally suited for use in food and petrochemical applications, and for use in harsh environments. It also has an IP rating of IP67.

Non-standard output options are available including:

- 0-20mA

- Loop-powered 4-20mA

- Multi-interface driver with 4-20mA output, 0-10V output, two open-collector transistor outputs, and a serial communications port. Further details of the Multi-Interface Board are on the Deeter website.

Custom lengths can be made to order and heads with different threads or pressure tank fittings are available.

Deeter also make the LVCS in other materials and with other sensing resolutions – see our website for further details or call our sales office to discuss your requirements.

DEETER ELECTRONICS LTD

Distributed by:

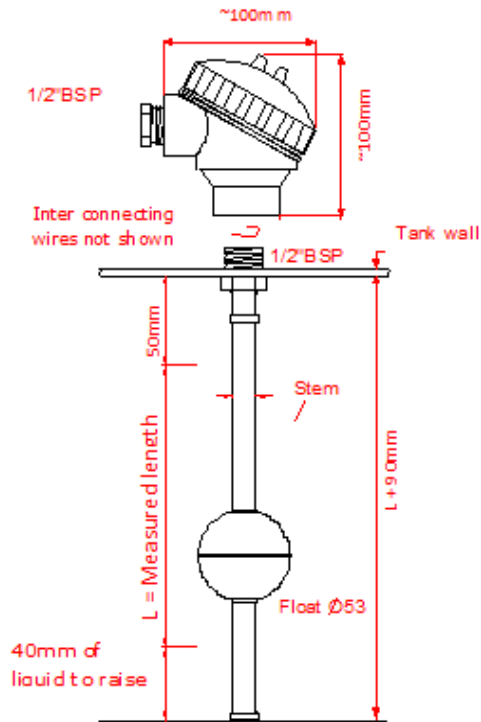
T&D THORNE & DERRICK UK

Tel: +44 (0)191 490 1547
Fax: +44 (0)191 477 5371
Email: northernsales@thorneandderrick.co.uk
Website: www.heattracing.co.uk
www.thorneandderrick.co.uk

The DEETER Group®



Liquid Vertical Continuous Sensor

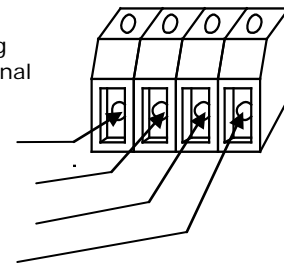


- LVCS1 : Measured length L = 250mm
- LVCS2 : Measured length L = 500mm
- LVCS3 : Measured length L = 750mm
- LVCS4 : Measured length L = 1000mm

Note: The overall length is 90mm longer than the measured length. Please check you have enough clearance in the tank.

Screw terminal wiring connections for external powered 4-20mA

- Output ← 0 Volts
- Output ← 4-20mA
- Input → +24 Volt
- Input → 0 Volt



Standard LVCS Specifications

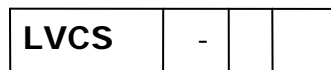
Supply: Current Loop 0-2V, 0-4V 0-10V	15-28VDC @ 24mA 8-28VDC @ 5mA 15-28VDC @ 5mA	Stem Temperature Head Electronics Temperature	-20 °C to 120 °C 0 °C to 70 °C
Current Loop Output	0-20mA or 4-20mA into 10Ω [#] to 1.2KΩ*	Voltage Output Ranges	0-2.048V 0-4.096V 0-10V
Sensing Resolution	5mm	Connection Type	screw terminals
Operating Pressure	450 PSI 31 Bar	Float Specific Gravity	0.65

At maximum operating voltage and temperature, the minimum load resistance increases to approximately 500 ohms. (An approximate formula is: $R_{load(min)} = [Supply\ Voltage / 20mA] - [150C - Ambient\ Temperature] / 0.04C/ohm$)

* Maximum load resistance is given by the formula: $R_{load(max)} = (Supply\ Voltage - 2V) / 20mA$

Ordering Information

1 – 250mm sensing range
2 – 500mm sensing range
3 – 750mm sensing range
4 – 1000mm sensing range
Custom lengths available



Blank – 4-20mA output
2V – 0-2Volt output
4V – 0-4Volt output
10V – 0-10Volt output

DEETER ELECTRONICS LTD

Distributed by:



Tel: +44 (0)191 490 1547
Fax: +44 (0)191 477 5371
Email: northersales@thorneandderrick.co.uk
Website: www.heattracing.co.uk
www.thorneandderrick.co.uk