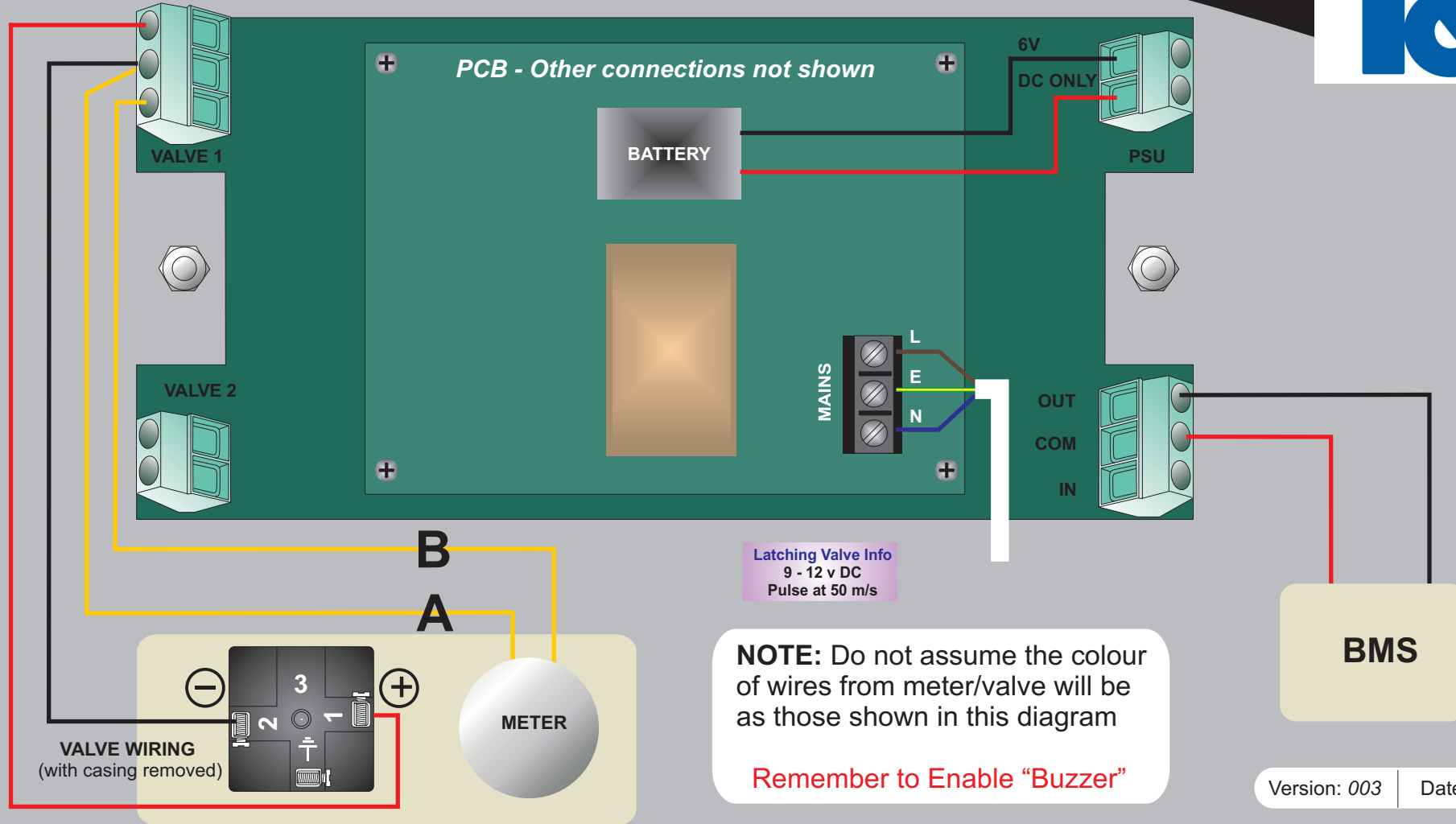


# Wiring of the BCCB Control Unit and Optional Valve



**NOTE:** Do not assume the colour of wires from meter/valve will be as those shown in this diagram

**Remember to Enable "Buzzer"**

Version: 003 | Date: 10.02.2013

## Wiring For The Pulse Reader - Meter Types

*Make sure that the protective "foil" on the Pulse Reader is removed before it is connected to these 2 types of meter*

**A = Brown**  
**B = White**



Green and Yellow are NOT used

**A = Grey**  
**B = White**



Green, Yellow and Brown are NOT used

**2 X wires**  
**Red and Black**  
**NO Polarity**  
**NO Foil**

