



Standard for
**Installing and Maintaining
Industrial Heat Tracing Systems**

NEIS



Published by
National Electrical
Contractors Association



NOTICE OF COPYRIGHT

This document is copyrighted by NECA

Reproduction of these documents either in hard copy or soft (including posting on the web) is prohibited without copyright permission. For copyright permission to reproduce portions of this document, please contact NECA Standards & Safety at (301) 657-3110 ext. 546, or send a fax to (301) 215-4500.

OR

National Electrical Contractors Association
3 Bethesda Metro Center, Suite 1100
Bethesda, Maryland 20814
(301) 657-3110

Organizations may obtain permission to reproduce a limited number of copies by entering into a license agreement. For information, contact:

IHS
15 Iverness Way East
Englewood, CO 80112-5704 or call
1-800-854-7179 (USA and Canada)
(303) 397-7956 (International)

Table of Contents

- Forewordiii
- 1. Scope1**
 - 1.1 Electrical Heat Tracing of Pipes, Vessels and Associated Equipment Included1
 - 1.2 Electrical Heating Systems Excluded1
 - 1.3 Related Construction Materials1
 - 1.4 Code Requirements and Manufacturer’s Recommendations1
- 2. Definitions 3**
- 3. Pre-Installation Checks 4**
 - 3.1 Check the Pipe to be Heat Traced4
 - 3.2 Plan the Installation4
 - 3.3 Mark Location of Terminations4
- 4. General Installation Practices 5**
 - 4.1 Receiving, Storing, Protecting, and Delivering5
 - 4.2 Site Preparation6
 - 4.3 Unpacking and Handling Material6
 - 4.4 Proper Type and Application7
 - 4.5 Coordination with Other Trades7
 - 4.6 Securing Components in Place7
 - 4.7 Wiring Connections7
- 5. Heating Cable Installation9**
 - 5.1 Paying Out the Cable9
 - 5.2 Attaching the Heating Cable10
 - 5.3 Securing the Heating Cable12
 - 5.4 Wrapping Heat Sinks13
 - 5.5 Special Cautions14
- 6. Heating Cable Connections16**
- 7. Thermostat Controls18**
 - 7.1 General18
 - 7.2 Ambient-Sensing Thermostats18
 - 7.3 Line-Sensing Thermostats18

8. Thermal Insulation	19
8.1 Pre-Insulation Inspection	19
8.2 Insulation Installation	19
8.3 Testing After Insulation Installation	20
9. Power Supply and Electrical Protection	21
9.1 Voltage Rating	21
9.2 Electrical Loading	21
9.3 Ground-Fault Protection for Equipment (GFPE)	21
10. Commissioning	22
10.1 Pre-Commissioning	22
10.2 Ambient-Sensing Controlled Systems	22
10.3 Line-Sensing Controlled Systems	22
10.4 Backup (Redundant) Systems	22
11. Preventive Maintenance	23
11.1 Maintenance Procedures	23
11.2 Maintenance Records	23
11.3 Repairs	23
11.4 Maintenance of Piping and Associated Equipment	23
11.5 Special Cautions	23
12. Heating Cable Testing	24
12.1 Insulation Resistance Testing	25
13. Typical Troubleshooting Guide for Parallel Circuit Heaters	26
13.1 Troubleshooting Flowchart	26
13.2 Questions, Steps, and Corrective Actions	26
Annex A: Recordkeeping	34
Annex B: Reference Standards	37

1. Scope

1.1 Products and Applications Included

This standard describes procedures for the installation, testing, and documentation of electrical freeze protection and process heat tracing systems. Heat tracing cable types covered by this publication include: self-regulating heating cables, and mineral insulated (MI) heating cables (see Figures 1.1(a)-1.1(e) on the following page).

System components used with these types of heat tracing cables included power transformers, control panels, temperature sensors, temperature controllers, contactors, circuit breakers, enclosures, conduit, wire, and all necessary auxiliary equipment and controls.

1.2 Products and Applications Excluded

The following types of heat tracing systems are specifically excluded from this publication:

1. Skin effect heating systems
2. Impedance heating systems
3. Inductance heating systems

1.3 Related Construction Materials

In addition to the electrical heat tracing components described in 1.1, this publication includes related construction materials including labels, adhesive tapes, attachment wire and components, and thermal insulation and cladding.

1.4 Regulatory and Other Requirements

a) All information in this publication is intended to conform to the National Electrical Code (ANSI/NFPA 70), and, in general, the typical recommendations of electrical heat tracing manufacturers. It is

recommended that all work be performed in accordance with NFPA 70E, *Standard for Electrical Safety in the Workplace*. Installers should always follow the NEC, applicable state and local codes, manufacturer's instructions when installing electrical heat tracing. Articles 427 (ordinary areas) and 500 (Classified areas) of the NEC govern the installation of electrical heat tracing systems. IEEE 515 and 515.1 are accepted industry standards that also contain useful information about installing electrical heat tracing systems.

b) Only qualified persons familiar with the construction and installation of electrical heat tracing systems should perform the work described in this publication.

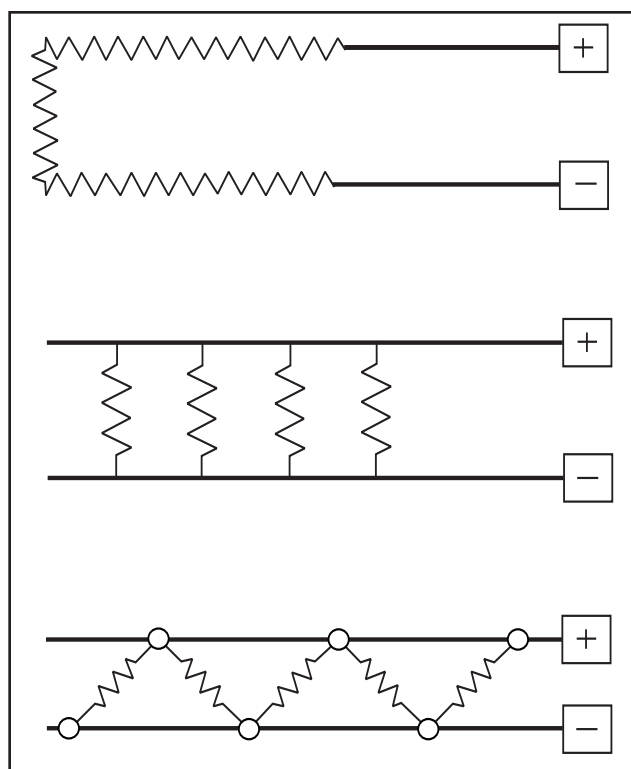


Figure 1.1(a)—Types of electrical heating

c) General requirements for installing electrical products and systems are described in NECA 1, *Standard for Good Workmanship in Electrical Construction* (ANSI). Other *National Electrical Installation Standards* provide additional guidance for installing particular types of electrical products and

systems. A complete list of *NEIS* is provided in Annex B.

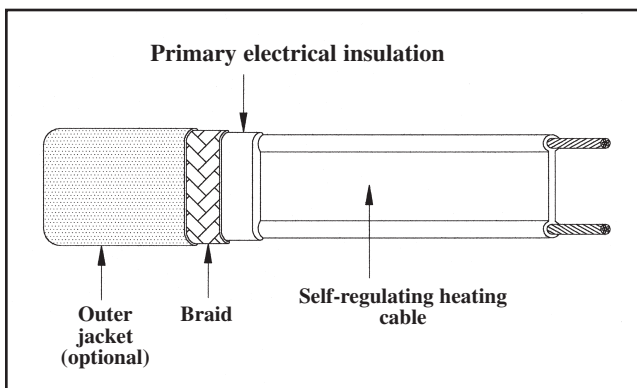


Figure 1.1(b)—Self-regulating conductor polymer heating cable

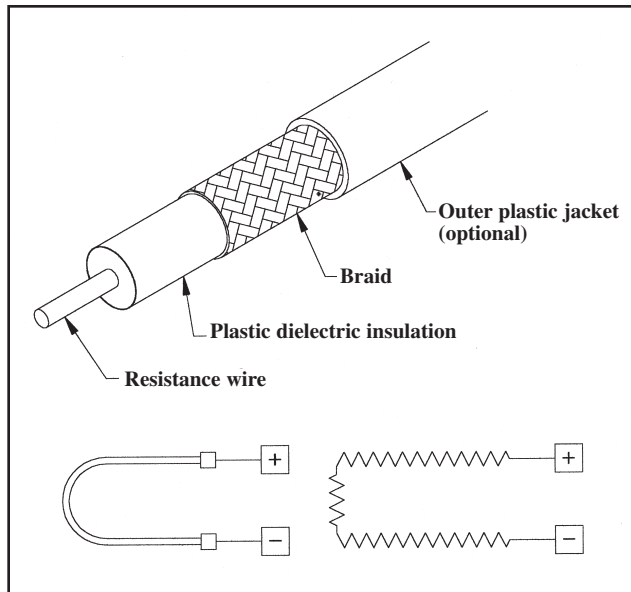


Figure 1.1(d)—Series resistance cables

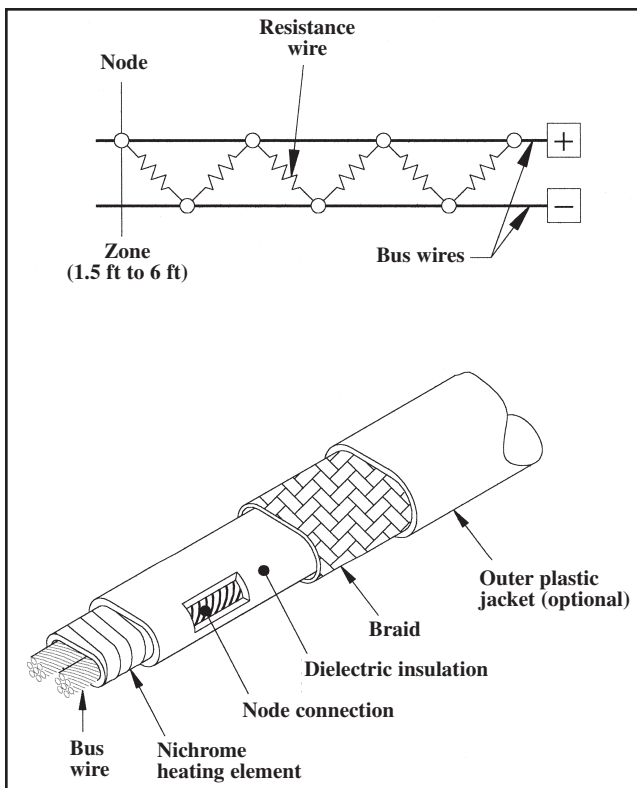


Figure 1.1(c)—Zone heaters – polymer heating cable

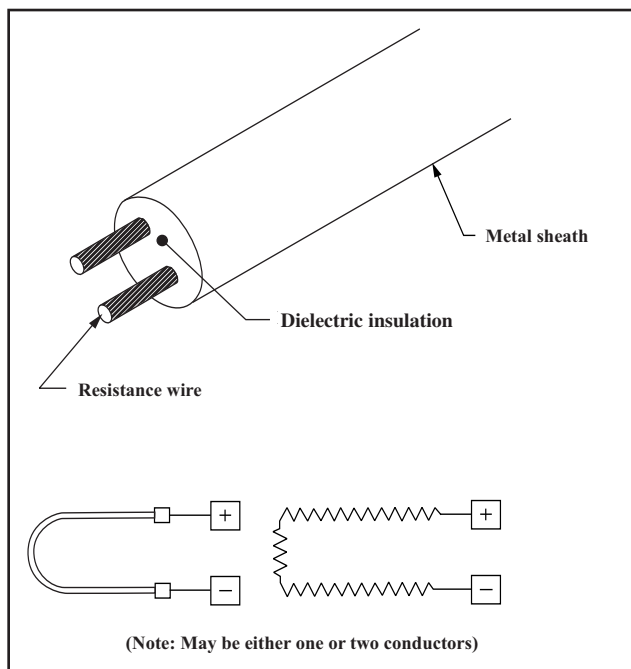


Figure 1.1(e)—Mineral insulated (MI) cable