

E-Connect

Heating Cable Connection System

Product Specifications

Application . . .

Power Connection, In-Line/T-Splice

Thermon's E-Connect is an easy connection system designed to provide a reliable method for rapid, trouble-free installation of Thermon heating cables. It's modular design provides a solution for quick installation with a large number of connection combination possibilities.

Compatible with all Thermon FLX™, RSX™, RGS™ and HSX® self-regulating heating cables. The E-Connect electrical connectors have an integral strain relief and are available with screw connection technology. Customized junction boxes with pre-wired female connectors allow heat tracing or power cables to be plugged in and integrated into the installation.

E-Connect kits are approved for use in ordinary (nonclassified) areas.

Connectors Ratings/Specifications . . .

Maximum voltage rating..... 250 Vac / 50 Hz
Maximum current16 Amp
Maximum exposure temperature..... 100°C
Minimum exposure temperature -40°C
Electrical connection 3 Poles, brass, surface plated
Housing material..... Thermoplastic, PA66, halogen free, V-2
Enclosure rating..... IP68
(2 hours on a water depth of 3 metres)
Sealing material..... NBR

Junction Box Ratings/Specifications . . .

Maximum voltage rating..... 250 Vac / 50 Hz
Maximum current16 Amp
Maximum exposure temperature..... 70°C
Minimum exposure temperature -20°C
Housing material..... PS (Polystyrol), halogen free, V-2
Enclosure rating..... IP65
Sealing material..... NBR

Electronic Thermostat Ratings/Specifications . . .

Maximum voltage rating..... 250 Vac / 50 Hz
Maximum current16 Amp
Storage temperature..... -20°C to +70°C
Operating temperature 0°C to +55°C
Sensor temperature..... -99°C to +400°C
BoxSchulamid NV 12 FR
CoverPC121 R Topas/PA6
Enclosure rating..... IP66
Sealing material..... NBR

Certifications/Approvals . . .



EC-3 Kit Shown

Description . . .

Thermon's Easy Connection system is safe and reliable. Combining male and female connector types together with a splicing connector block and end caps makes a large number of connection combinations possible.

Junction Box . . .



Model: EC-JB 4 Part No. 436.359.990

Electronic Thermostat Junction Box . . .



Model: TCE 1-1-400-WALL Part No. 443.916.260



THERMON . . . The Heat Tracing Specialists®
www.thermon.com

European Headquarters
Boezenweg 25 • PO Box 205
2640 AE Pijnacker • The Netherlands
Phone: +31 (0) 15-36 15 370

Corporate Headquarters
100 Thermon Dr. • PO Box 609
San Marcos, TX 78667-0609 • USA
Phone: +1 512-396-5801

For the Thermon office nearest you
visit us at . . .
www.thermon.com



E-Connect

Heating Cable Connection System

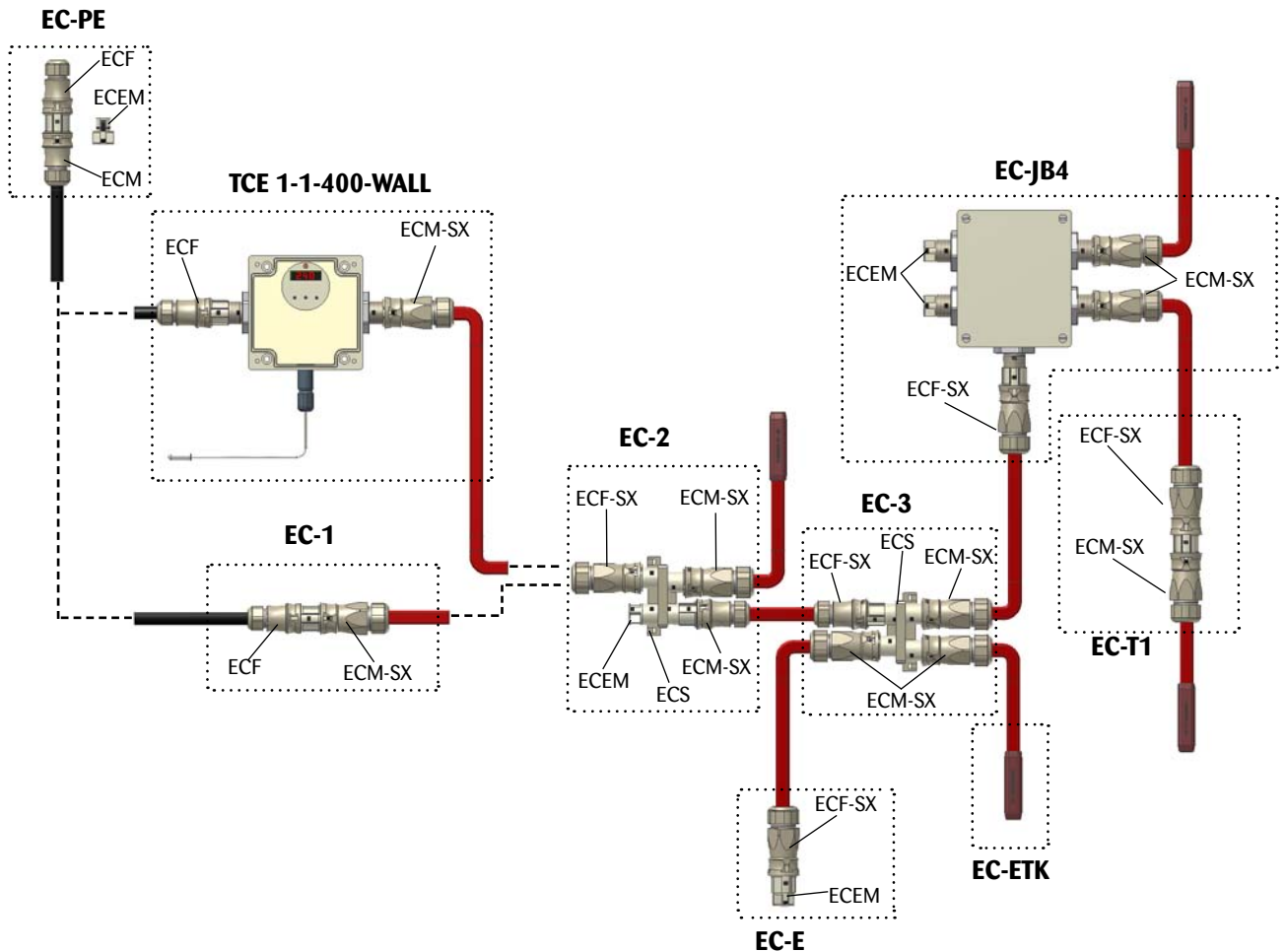
E-Connection Kit Content . . .

- EC-1** Power to Heat Tracer Connection Kit
- EC-2** Power to 2 Heat Tracers Connection Kit
- EC-3** Power to 3 Heat Tracers Connection Kit
- EC-T1** Heat Tracer to Heat Tracer Connection Kit
- EC-PE** Power to Power /End Connection Kit
- EC-E** End Termination Kit for Heat Tracer Cable
- EC-ETK** End Termination Kit for Heat Tracing Cable
- EC-JB4** Junction Box Supply to 4 Heat Tracers
- TCE-1-1-400-WALL**..... Electronic Thermostat in Junction Box

Tools Required . . .



NOTE: Separate parts are available. By combining the separate parts, different connections are possible.



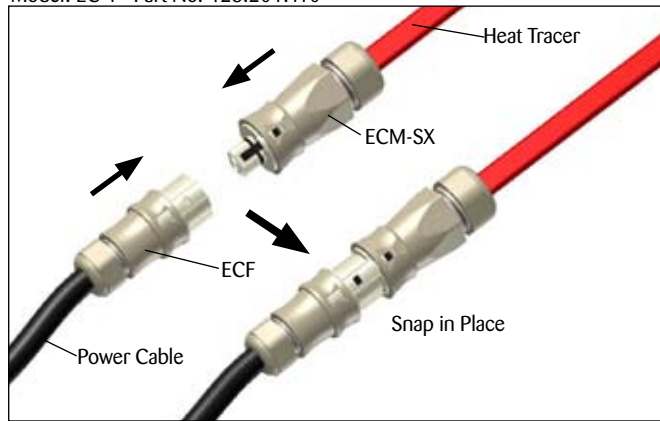
The Heat Tracing Specialists®

E-Connect

Heating Cable Connection System

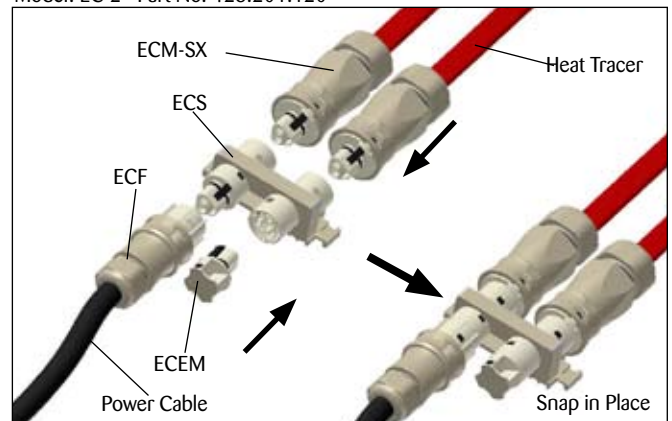
Kit Configuration

Model: EC-1 Part No. 423.201.110



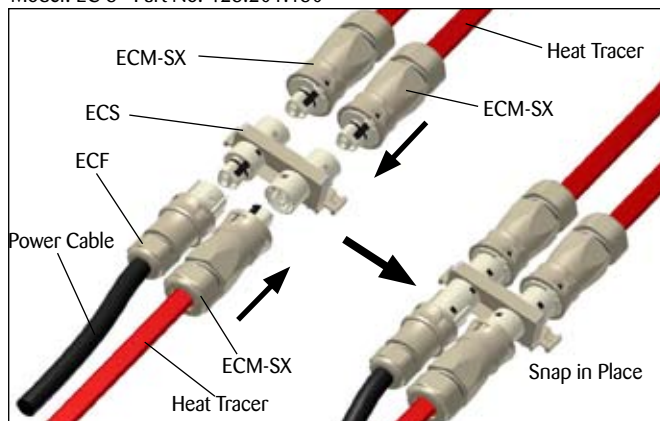
Power To Heat Tracer Connection Kit:
(1) ECF, (1) ECM-SX

Model: EC-2 Part No. 423.201.120



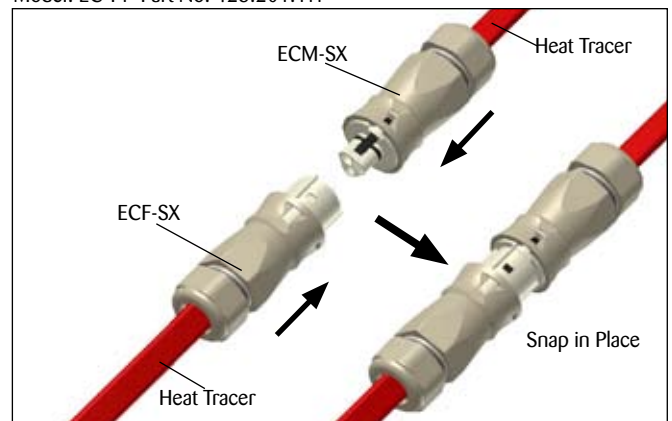
Power To (2) Heat Tracers Connection Kit:
(1) ECF, (2) ECM-SX, (1) ECS

Model: EC-3 Part No. 423.201.130



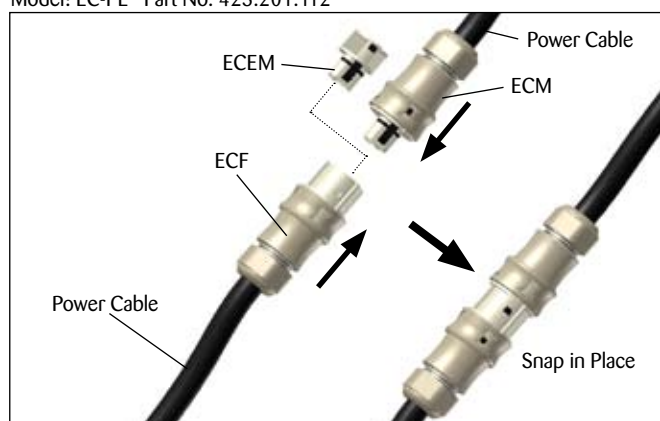
Power To (3) Heat Tracers Connection Kit:
(1) ECF, (3) ECM-SX, (1) ECS

Model: EC-T1 Part No. 423.201.111



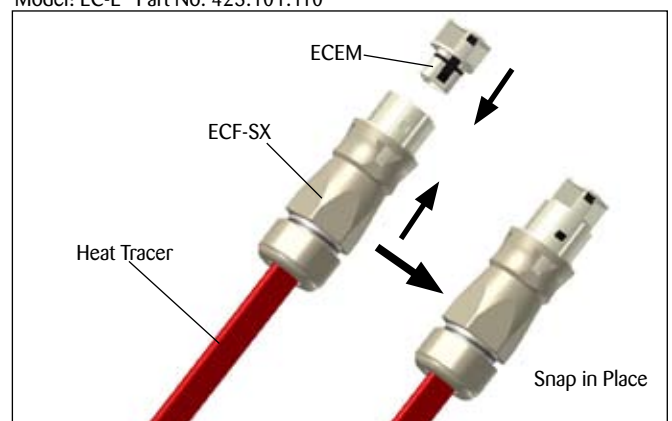
Heat Tracer To Heat Tracer Connection Kit:
(1) ECF-SX, (1) ECM-SX

Model: EC-PE Part No. 423.201.112



Power To Power / End Connection Kit:
(1) ECF, (1) ECM, (1) ECEM.

Model: EC-E Part No. 423.101.110



End Termination Kit For Heat Tracing Cable:
(1) ECF-SX, (1) ECEM.

Model: EC - ETK Part No. 423.101.111



End Termination Kit for Heat Tracing Cable

E-Connect

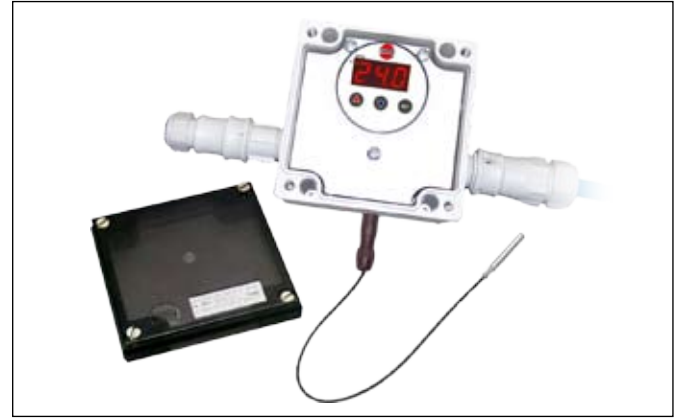
Heating Cable Connection System

Model: EC-JB 4 Part No. 436.359.990



Junction Box Power to 4 Heat Tracers

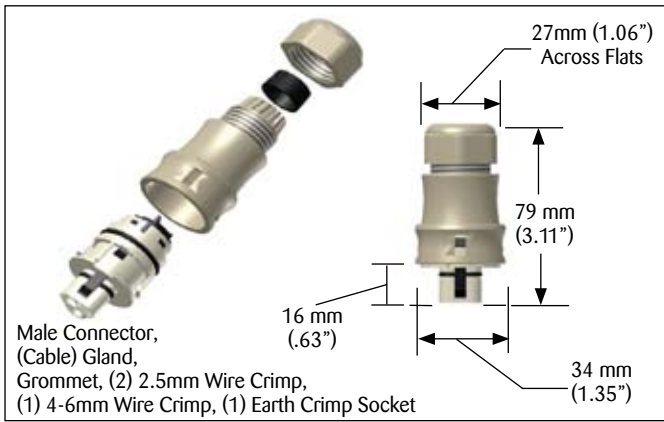
Model: TCE 1-1-400-WALL Part No. 443.916.260



Electronic Thermostat to Junction Box

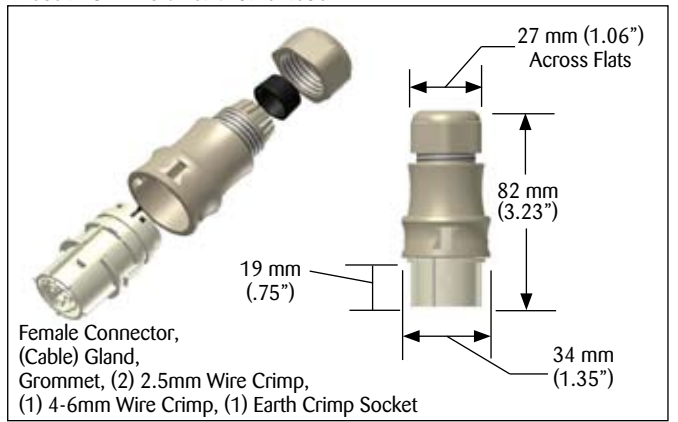
E-Connect - Parts

Model: ECM Part No. 423.101.040



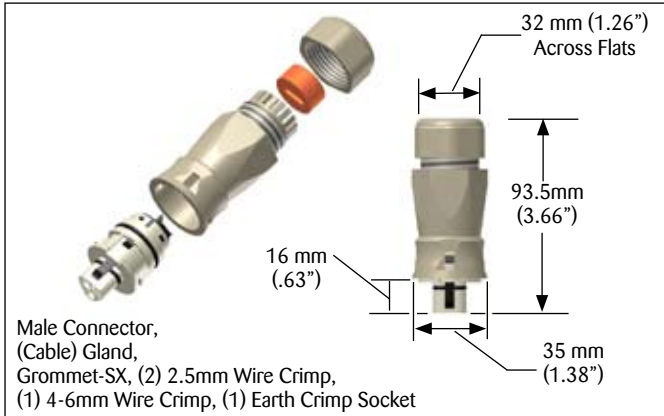
Male Connector for Power Cable - Cable Dia. 10mm - 14mm

Model: ECF Part No. 423.101.030



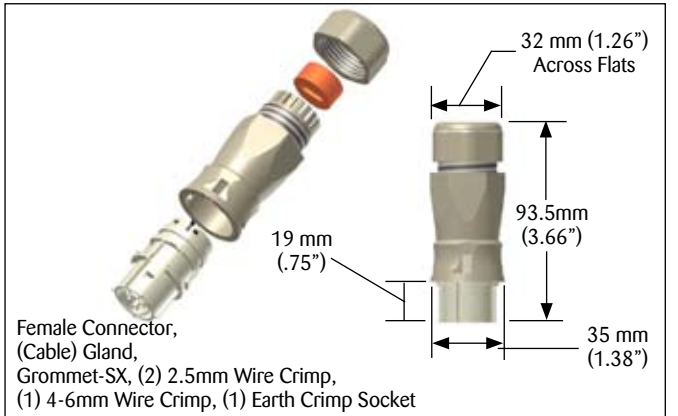
Female Connector for Power Cable - Cable Dia. 10mm - 14mm

Model: ECM-SX Part No. 423.101.020



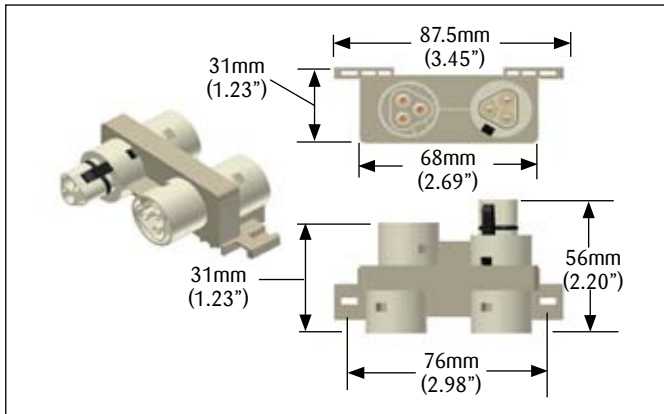
Male Connector for (SX) Heat Tracing Cable 13mm - 14mm

Model: ECF-SX Part No. 423.101.010



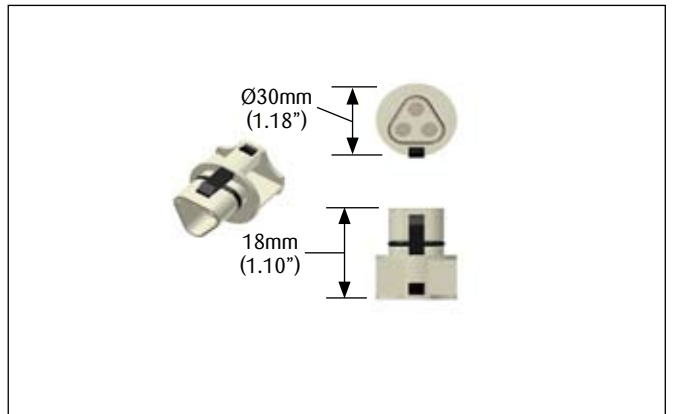
Female Connector for (SX) Heat Tracing Cable 13mm - 14mm

Model: ECS Part No. 423.101.050



Splice Connector Block - 4 Way Connections

Model: ECEM Part No. 423.101.060



Male End Cap