



MICA-INSULATED BAND HEATERS

1- and 2-Piece Construction Starts at **\$30**



MBH-5020800T, \$59, shown smaller than actual size.



MBH-2520600A/120, \$49, shown smaller than actual size.

MBH-3515450/120, \$30, shown smaller than actual size.



MBH-1515175B/120, \$45, shown smaller than actual size.

- ✓ 25 to 292 mm (1 to 11½") ID
- ✓ Up to 482°C (900°F) Barrel Temperature

APPLICATIONS

- ✓ Cylinders, Dies, Drums, and Holding Tanks
- ✓ Injection and Blow Molding Machines
- ✓ Plastic Extruders

Omegalux® MBH Series mica-insulated band heaters are available in 1- or 2-piece construction and a variety of diameters and widths. One-piece band heaters are manufactured with inside diameters from 25 to 89 mm (1 to 3½"). Two-piece band heaters are available in diameters from 102 to 292 mm (4 to 11½"). Electrical connections are made through post terminals or insulated and stainless steel overbraided leads.

Each half of the 2-piece band heaters is rated 120 V and is wired in parallel for 120 V operation or in series for 240 V operation.

Available options include different dimensions and terminals, special wattage or voltage ratings, flexible conduit, and holes or cutouts. Two or more sections can be manufactured to fit larger diameters. Contact Engineering for more information.

When heating objects to higher temperatures, lower-watt-density heaters should be used to prevent overheating and shortened heater life. Watt density is the total wattage of the heater divided by the heated surface area of the heater. Use the table to the right to select the maximum recommended watt density for the application. Lower watt densities can be achieved by operating 240 V heaters on 120 V.

When operating 240 V heaters on 120 V, the wattage and watt density are derated by a factor of 4.

For example, the MBH-1715300A/240 is a 44 mm (1.75") ID one-piece band heater, rated for 300 W and 36 W per square inch at 240 V. When operating this same heater on 120 V, the wattage and watt density are reduced to 75 W and 9 W per square inch.

| Maximum Operating Temperature | |
|-----------------------------------|---|
| Operating Temperature* °C (°F) | Maximum Recommended Watts per Square Inch |
| 149 (300) | 40 |
| 204 (400) | 30 |
| 260 (500) | 21 |
| 316 (600) | 12 |
| 371 (700) | 10 |
| 427 (800) | 10 |
| 482 (900) | 10 |

**One Piece
Band Heaters**

MBH-1515175B/120,
terminal style B, \$45,
shown larger than
actual size.

MBH-2520600A/120, terminal style
A, \$49, shown close
to actual size.



One-Piece Construction

MOST POPULAR MODELS HIGHLIGHTED!

H

To Order (Specify Model Number)

| Model Number | Price | ID mm (in) | Width mm (in) | Watts | W/in ² | Terminal Style | Weight kg (lb) |
|------------------|-------|------------|---------------|-------|-------------------|----------------|----------------|
| MBH-101085A/120 | \$42 | 25 (1.00) | 25 (1.0) | 85 | 27 | A | 0.11 (0.25) |
| MBH-101085B/120 | 42 | 25 (1.00) | 25 (1.0) | 85 | 27 | B | 0.11 (0.25) |
| MBH-1015130A/120 | 44 | 25 (1.00) | 38 (1.5) | 130 | 27 | A | 0.17 (0.37) |
| MBH-1015130B/120 | 75 | 25 (1.00) | 38 (1.5) | 130 | 27 | B | 0.17 (0.37) |
| MBH-1210100A/120 | 44 | 32 (1.25) | 25 (1.0) | 100 | 25 | A | 0.17 (0.37) |
| MBH-1210100B/120 | 44 | 32 (1.25) | 25 (1.0) | 100 | 25 | B | 0.17 (0.37) |
| MBH-1210150A/120 | 44 | 32 (1.25) | 25 (1.0) | 150 | 38 | A | 0.17 (0.37) |
| MBH-1210150B/120 | 45 | 32 (1.25) | 25 (1.0) | 150 | 38 | B | 0.17 (0.37) |
| MBH-1215150A/120 | 45 | 32 (1.25) | 38 (1.5) | 150 | 25 | A | 0.20 (0.43) |
| MBH-1215150B/120 | 45 | 32 (1.25) | 38 (1.5) | 150 | 25 | B | 0.20 (0.43) |
| MBH-1215200A/120 | 45 | 32 (1.25) | 38 (1.5) | 200 | 34 | A | 0.20 (0.43) |
| MBH-1215200B/120 | 45 | 32 (1.25) | 38 (1.5) | 200 | 34 | B | 0.20 (0.43) |
| MBH-1515175A/* | 45 | 38 (1.50) | 38 (1.5) | 175 | 24 | A | 0.23 (0.50) |
| MBH-1515175B/* | 45 | 38 (1.50) | 38 (1.5) | 175 | 24 | B | 0.23 (0.50) |
| MBH-1515275A/* | 45 | 38 (1.50) | 38 (1.5) | 275 | 39 | A | 0.23 (0.50) |
| MBH-1515275B/* | 45 | 38 (1.50) | 38 (1.5) | 275 | 39 | B | 0.23 (0.50) |
| MBH-1715180A/* | 45 | 44 (1.75) | 38 (1.5) | 180 | 22 | A | 0.25 (0.56) |
| MBH-1715180B/* | 45 | 44 (1.75) | 38 (1.5) | 180 | 22 | B | 0.25 (0.56) |
| MBH-1715300A/* | 45 | 44 (1.75) | 38 (1.5) | 300 | 36 | A | 0.25 (0.56) |
| MBH-1715300B/* | 45 | 44 (1.75) | 38 (1.5) | 300 | 36 | B | 0.25 (0.56) |
| MBH-2015200A/* | 45 | 51 (2.00) | 38 (1.5) | 200 | 21 | A | 0.31 (0.68) |
| MBH-2015200B/* | 45 | 51 (2.00) | 38 (1.5) | 200 | 21 | B | 0.31 (0.68) |
| MBH-2015375A/* | 45 | 51 (2.00) | 38 (1.5) | 375 | 40 | A | 0.31 (0.68) |
| MBH-2015375B/* | 45 | 51 (2.00) | 38 (1.5) | 375 | 40 | B | 0.31 (0.68) |
| MBH-2515300A/* | 48 | 64 (2.50) | 38 (1.5) | 300 | 25 | A | 0.34 (0.81) |
| MBH-2515450A/* | 48 | 64 (2.50) | 38 (1.5) | 450 | 38 | A | 0.34 (0.81) |
| MBH-2520600A/* | 49 | 64 (2.50) | 51 (2.0) | 600 | 38 | A | 0.39 (0.87) |
| MBH-2525750A/* | 52 | 64 (2.50) | 64 (2.5) | 750 | 38 | A | 0.42 (0.93) |
| MBH-2530900A/* | 55 | 64 (2.50) | 76 (3.0) | 900 | 38 | A | 0.48 (1.06) |
| MBH-3015400/* | 30 | 76 (3.00) | 38 (1.5) | 400 | 28 | — | 0.25 (0.56) |
| MBH-3515450/* | 30 | 89 (3.50) | 38 (1.5) | 450 | 27 | — | 0.31 (0.68) |
| MBH-3520500/* | 33 | 89 (3.50) | 51 (2.0) | 500 | 23 | — | 0.39 (0.87) |

* Insert "120" or "240" for 120 Vac or 240 Vac operation.

Ordering Example: MBH-1515175B/120, 38 mm (1.5") ID, 38 mm (1.5") width, 175 W, 120 Vac band heater, \$45.

**Two-Piece
Band Heaters**

**MBH-5515750T,
Terminal Style T,
\$57, shown close
to actual size.**



**SPECIFICATIONS
(All Models)**

Construction:
Mica insulation, ribbon
resistance element, rust
resistant steel sheath

Width Tolerance:
±1.6 mm (1/16")

Gap Dimensions:
25 to 152 mm (1 to 6")
I.D.: 8 mm (5/16") nominal;
152 to 292 mm (6 to 11½")
I.D.: 10 mm (3/8") nominal

Thickness:
5 mm (3/16") nominal

Two Piece Construction**

MOST POPULAR MODELS HIGHLIGHTED!

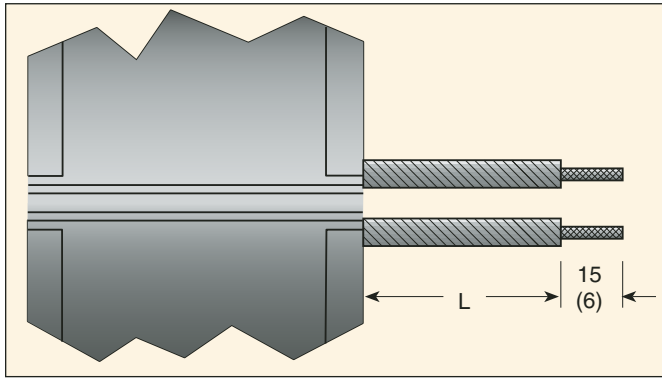
| To Order (Specify Model Number) | | | | | | | |
|--|--------------|------------------------|-------------------------|-------------|-------------------------|---------------------------|---------------------------|
| Model Number | Price | I.D. mm (") | Width mm (") | Watt | W/in² | Terminal Style | Weight kg (lb) |
| MBH-4015550T | \$54 | 102 (4.00) | 38 (1.5) | 550 | 30 | T | 0.23 (0.50) |
| MBH-4020600T | 57 | 102 (4.00) | 51 (2.0) | 600 | 25 | T | 0.28 (0.62) |
| MBH-4515650T | 55 | 114 (4.50) | 38 (1.5) | 650 | 31 | T | 0.25 (0.56) |
| MBH-5015750T | 56 | 127 (5.00) | 38 (1.5) | 750 | 31 | T | 0.31 (0.68) |
| MBH-5020800T | 59 | 127 (5.00) | 51 (2.0) | 800 | 26 | T | 0.45 (1.00) |
| MBH-5515750T | 57 | 140 (5.50) | 38 (1.5) | 750 | 29 | T | 0.43 (0.95) |
| MBH-5520900T | 68 | 140 (5.50) | 51 (2.0) | 900 | 26 | T | 0.45 (1.00) |
| MBH-6015900T | 58 | 152 (6.00) | 38 (1.5) | 900 | 32 | T | 0.43 (0.95) |
| MBH-60201000T | 62 | 152 (6.00) | 51 (2.0) | 1000 | 27 | T | 0.51 (1.12) |
| MBH-65151100T | 59 | 165 (6.50) | 38 (1.5) | 1100 | 36 | T | 0.51 (1.12) |
| MBH-70151000T | 60 | 178 (7.00) | 38 (1.5) | 1000 | 30 | T | 0.51 (1.12) |
| MBH-80151100T | 63 | 203 (8.00) | 38 (1.5) | 1100 | 29 | T | 0.57 (1.25) |
| MBH-90151200T | 63 | 229 (9.00) | 38 (1.5) | 1200 | 28 | T | 0.62 (1.37) |
| MBH-100151400T | 65 | 254 (10.00) | 38 (1.5) | 1400 | 30 | T | 0.68 (1.50) |
| MBH-110201200T | 67 | 279 (11.00) | 51 (2.0) | 1200 | 18 | T | 0.91 (2.00) |
| MBH-115151650T | 44 | 292 (11.50) | 38 (1.5) | 1650 | 31 | T | 0.76 (1.68) |

**** Note:** Two piece band heaters can be operated on either 120 or 240 Vac. Each half is rated for 120 V and is wired in parallel for 120 V and in series for 240 V operation.



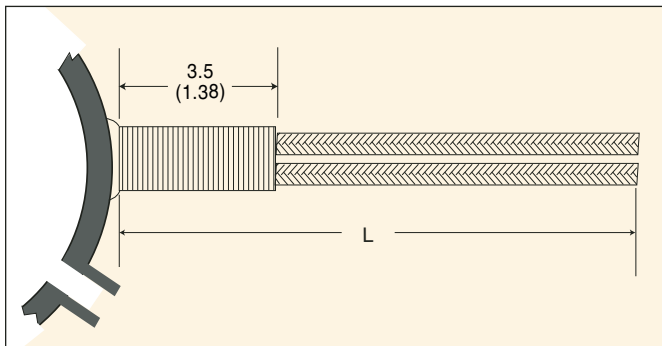
Dimensions: cm (in)

Dimensions for Terminal Styles A, B and T



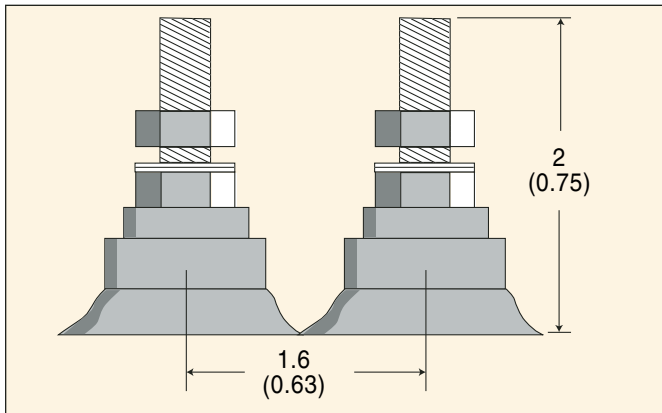
Terminal Style A

L = 30 cm (12") for standard heaters
Longer leads are optional



Terminal Style B

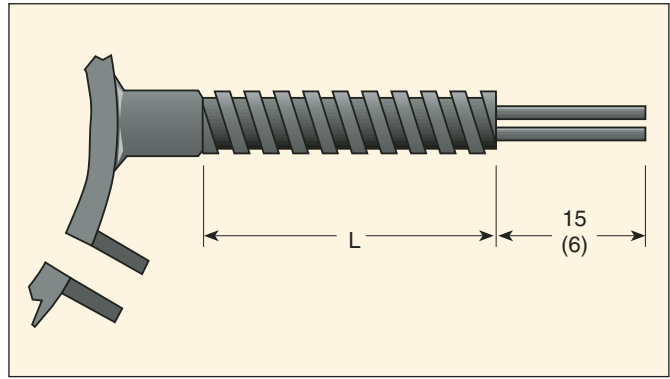
L = 30 cm (12") for standard heaters
Longer leads or flexible conduit are optional



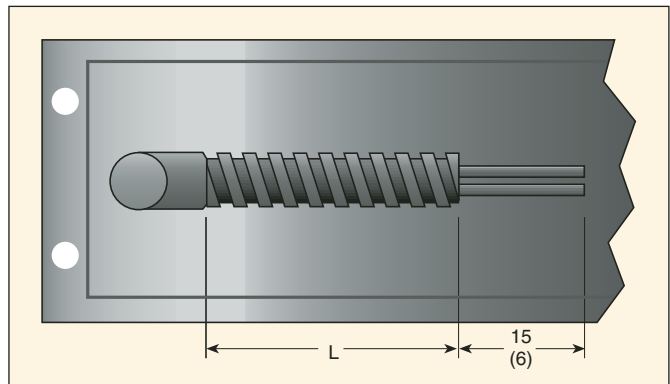
Terminal Style T

*Note: Heater thickness is approx. 5 mm (3/16")
Total height is approx. 2.5 cm (1")*

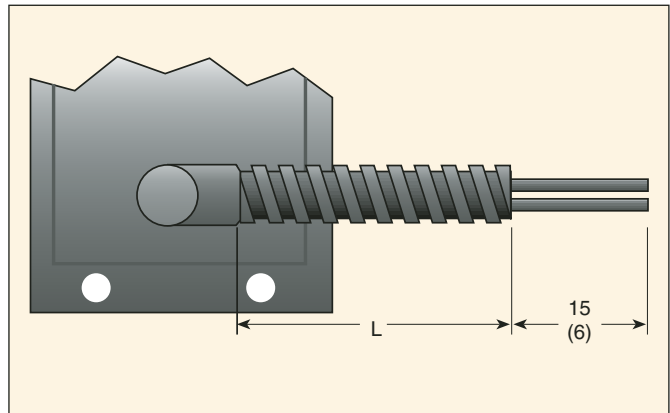
Flexible Conduit Options for Terminal Style B



FC1 Flexible conduit for straight leads



FC2 Flexible conduit for right angle leads in line with heater



FC3 Flexible conduit for right angle leads at 90° to heater

H

Terminal Style A Options

| Description | Ordering Suffix | Price |
|----------------------|-----------------|---------------|
| Longer "L" Dimension | /* | Special Quote |

Terminal Style B Options

| Description | Ordering Suffix | Price |
|-----------------------------|-----------------|---------------|
| Longer "L" Dimension | /* | Special Quote |
| FC1 Flexible Conduit Option | /FC1/* | Special Quote |
| FC2 Flexible Conduit Option | /FC2/* | Special Quote |
| FC3 Flexible Conduit Option | /FC3/* | Special Quote |

U.S. AND CANADA

For sales and service, call:
1-800-82-66342®
1-800-TC-OMEGA

For technical assistance, call:
1-800-872-4328®
1-800-USA-HEAT



UNITED STATES

www.omega.com
1-800-TC-OMEGA
Stamford, CT.

CANADA

www.omega.ca
Laval(Quebec)
1-800-TC-OMEGA

GERMANY

www.omega.de
Deckenpfronn, Germany
0800-8266342

UNITED KINGDOM

www.omega.co.uk
Manchester, England
0800-488-488

FRANCE

www.omega.fr
Guyancourt, France
088-466-342

CZECH REPUBLIC

www.omegaeng.cz
Karviná, Czech Republic
596-311-899

BENELUX

www.omega.nl
Amstelveen, NL
0800-099-33-44



More than 100,000 Products Available!

• Temperature

Calibrators, Connectors, General Test and Measurement Instruments, Glass Bulb Thermometers, Handheld Instruments for Temperature Measurement, Ice Point References, Indicating Labels, Crayons, Cements and Lacquers, Infrared Temperature Measurement Instruments, Recorders Relative Humidity Measurement Instruments, RTD Probes, Elements and Assemblies, Temperature & Process Meters, Timers and Counters, Temperature and Process Controllers and Power Switching Devices, Thermistor Elements, Probes and Assemblies, Thermocouples Thermowells and Head and Well Assemblies, Transmitters, Wire

• Flow and Level

Air Velocity Indicators, Doppler Flowmeters, Level Measurement, Magnetic Flowmeters, Mass Flowmeters, Pitot Tubes, Pumps, Rotameters, Turbine and Paddle Wheel Flowmeters, Ultrasonic Flowmeters, Valves, Variable Area Flowmeters, Vortex Shedding Flowmeters

• pH and Conductivity

Conductivity Instrumentation, Dissolved Oxygen Instrumentation, Environmental Instrumentation, pH Electrodes and Instruments, Water and Soil Analysis Instrumentation

• Data Acquisition

Auto-Dialers and Alarm Monitoring Systems, Communication Products and Converters, Data Acquisition and Analysis Software, Data Loggers Plug-in Cards, Signal Conditioners, USB, RS232, RS485 and Parallel Port Data Acquisition Systems, Wireless Transmitters and Receivers

• Pressure, Strain and Force

Displacement Transducers, Dynamic Measurement Force Sensors, Instrumentation for Pressure and Strain Measurements, Load Cells, Pressure Gauges, Pressure Reference Section, Pressure Switches, Pressure Transducers, Proximity Transducers, Regulators, Strain Gages, Torque Transducers, Valves

• Heaters

Band Heaters, Cartridge Heaters, Circulation Heaters, Comfort Heaters, Controllers, Meters and Switching Devices, Flexible Heaters, General Test and Measurement Instruments, Heater Hook-up Wire, Heating Cable Systems, Immersion Heaters, Process Air and Duct, Heaters, Radiant Heaters, Strip Heaters, Tubular Heaters