



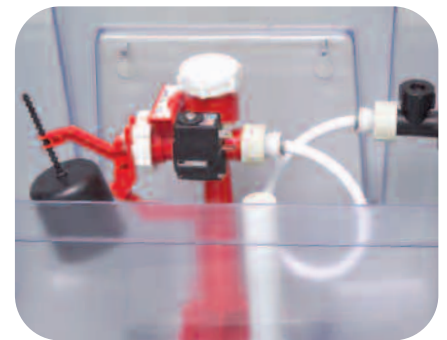
THORNE AND DERRICK UK – LEAK DETECTION
TEL: 0044 (0)191 490 1547 FAX: 0044 (0)191 477 5371
TEL: 0044 (0)117 977 4647 FAX: 0044 (0)117 477 5582
WWW.HEATRACING.CO.UK
WWW.THORNEANDDERRICK.CO.UK
e-mail: northernsales@thorneandderrick.co.uk

Cisterniser
water management at its best

easyflush

wc cistern flush valve

hands-free and water-conserving
wc cistern flush valve



- Infrared sensor operated WC cistern flush valve
- Defaults to part flush of as low as 2 litres for maximum water savings
- No touch means no cross-contamination; hygienic
- Installer programmable flush volumes; improved water economy
- Flush (outlet) and delayed action fill (inlet) valves combined in one unit
- Available in active ('wave') or passive ('walkaway') mode



easyflush is suitable for concealed or exposed cisterns.

easyflush is easy to install in retrofits or new installations. It can also be supplied complete with its own cistern (please ask for further details). The **easyflush** no-touch dual flush WC cistern valve promotes best practice in water economy and hygiene in domestic and commercial washrooms.



how it works

easyflush wave is operated by the user bringing their hand close to an infrared sensor. The dual flush mode enables the user to select either a part or full flush by the length of time their hand is in front of the sensor.

For a part flush the hand is waved in front of the sensor for up to one second and for a full flush over one second.

easyflush walkaway is normally activated by the user standing up or leaving the cubicle; however it can also be activated by the user bringing their hand toward the sensor.

The walkaway version comes with the dual flush factory programmed. A part flush will be delivered if the user departs from the cubicle within 60 seconds and a full flush will be delivered if the user departs after 60 seconds.

product description

- Both the 'wave' and 'walkaway' meet the DDA requirements and are Part M compliant.
- **easyflush** is two interlinked valves in one: a lift/drop valve which empties the cistern and a float valve which controls refilling.
- It also includes an integral overflow pipe to prevent flooding.
- The compact single-piece unit is located over the outlet by a bayonet-type locking device which simplifies installation.

Intelligent memory feature

If the user requires an additional flush they can bring their hand close to the infrared sensor to activate a further flush which will be stored in the memory and activate as soon as the cistern has filled.

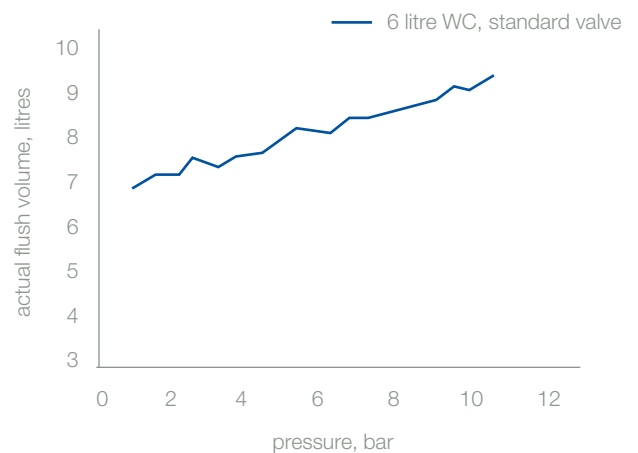




reducing water wastage through delayed action

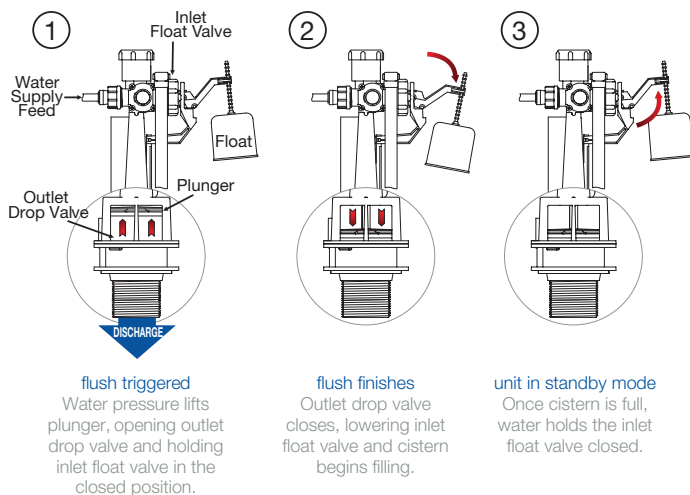
UK toilets needlessly flush away 1.2 billion litres of water a day (Waterwise).

The graph below (adapted from WRc data) shows that the actual flush volume for a nominal 6 litre WC increases as pressure increases. The Cistermiser **easyflush** will maintain the nominal volume at all pressures due to its patented delayed action operation.



delayed action valve operating sequence

The inlet float valve operates with a delayed action which only allows the cistern to begin refilling after it has been completely emptied and the outlet valve has closed. This patented feature prevents an increase in the volume of water per flush. In other systems water can enter the cistern before the outlet valve has closed, thus increasing the volume of water per flush.



Installing a Cistermiser **easyflush** can save up to 403,000 litres per year as shown below.

	standard wc	easyflush
Litres per flush (average)	9	2.8
Flushes per day per person	5	5
Number of persons	50	50
Days per year	260	260
Water usage per year (litres)	585,000	182,000
Water saving per year (litres)	-	403,000
Water usage per year (m ³)	585	182
Water costs per m ³ (£)	2.33	2.33
Annual water cost (£)	1,363.05	424.06
Annual water cost saving (£)	-	938.99

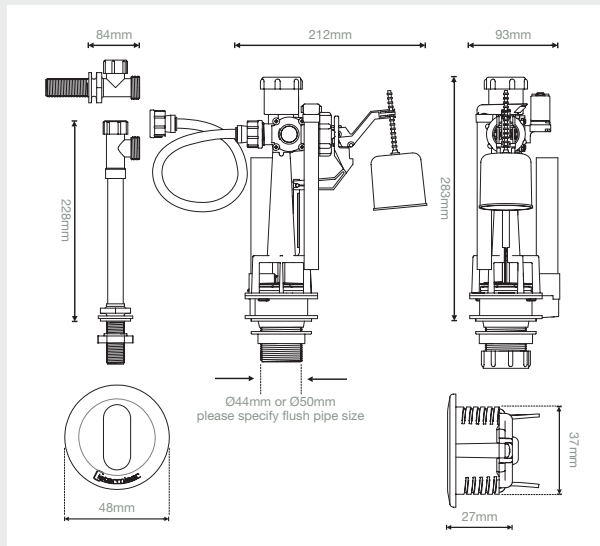


THORNE AND DERRICK UK – LEAK DETECTION
 TEL: 0044 (0)191 490 1547 FAX: 0044 (0)191 477 5371
 TEL: 0044 (0)117 977 4647 FAX: 0044 (0)117 477 5582
 WWW.HEATTRACING.CO.UK
 WWW.THORNEANDDERRICK.CO.UK
 e-mail: northern@thorneandderrick.co.uk

www.cistermiser.co.uk

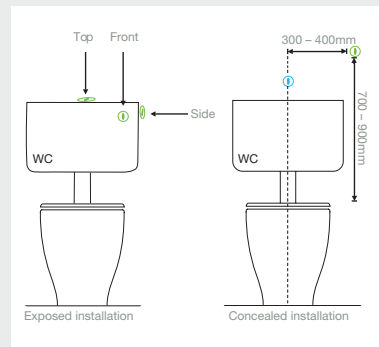
Cistermiser
water management at its best

installation options



- **easyflush** is powered by 4 x 1.5V AA (LR6) batteries or a 6V DC mains adaptor which can be installed behind service panels.
- The battery option allows the **easyflush** to be installed inside exposed cisterns.
- Also available as an optional extra is a multi product mains power supply unit (PSU) to power up to 20 sensors from a single fused spur.
- The **easyflush wave** can be fitted into a concealed or an exposed cistern and can also be easily retrofitted.
- The **easyflush walkaway** is only suited to concealed installations.

cisterniser concealed cistern – easy to fit



- **easyflush wave**
exposed installation
- **easyflush walkaway**
concealed installation

The cistern is supplied with the **easyflush** valve already installed inside it. The installer only needs to connect to the water supply and pan. To install and commission there are three easy steps:

- 1 Mount the cistern directly on the wall/panel.
- 2 Mount the sensor through the panel or wall and fit the power source.
- 3 Connect the water supply and sensor leads.

Access to the valve after installation is simple and obtained by removing the lid of the cistern.

- Suitable for the majority of 6 litre WCs .
- Supplied with **easyflush** WC Flush Valve already fitted.
- Available with either 38mm (1.5") or 50mm (2") diameter flush pipes.
- Ideal for installation behind panels in domestic or commercial applications.
- Side entry water inlet supplied as standard but bottom entry also available.
- Internal overflow included.

specification wording

easyflush wc cistern flush valve

The mechanical contractor shall supply and install a no-touch dual flush, sensor operated flush and fill delayed action valve to each WC cistern.

The valve shall consist of a single remote sensor, solenoid operated flush valve and combined integral fill valve. The inlet will include a double check valve. The unit will be of a dual flush capability from one sensor and the flush volume will be adjustable both for part and full flush functions. The sensor will be programmable for operating range, part flush time, cistern refill time and part flush operation (default is for part flush to be active). The unit should also incorporate a cleaner's function to minimize water usage during routine cleaning operations. The programming can be carried out manually by hand or by means of the optional ICU (remote control). The flush valve and inlet valve are to be linked (delayed action between inlet and outlet) to ensure that no water can enter the cistern during the flush cycle to prevent excess water usage. Compliance with BREEAM Wat1.

The unit should have a periodic hygiene flush function to ensure facilities are kept in a clean and hygienic condition.

The flush and fill valve is to be suitable for connection to either 230V 50Hz AC single phase supply or from 4 x 1.5V alkaline batteries of type LR6. For multiple product installations the device is to have the option of being installed with a common power supply unit PSUC capable of powering several units from one 230V fused spur.

The unit is to be suitable for mounting in a variety of cisterns and is to be easily installed and removed for maintenance purposes via a bayonet locking device.

The WC cistern flushing valves should be the **easyflush** 'wave' or 'walkaway' no touch dual flush WC valve as manufactured by: Cisterniser Limited
Unit 1, Woodley Park Estate, 59 – 69 Reading Road,
Woodley, Reading, RG5 3AN Tel: 0118 969 1611

product codes

easyflush wave
easyflush walkaway

EF
EF/Walk