

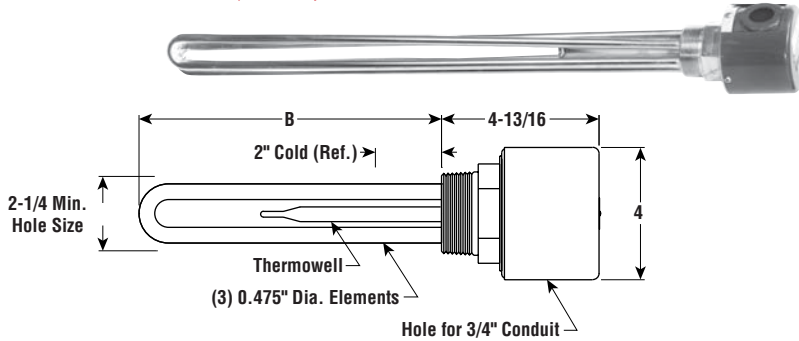
Immersion

EMTI-3

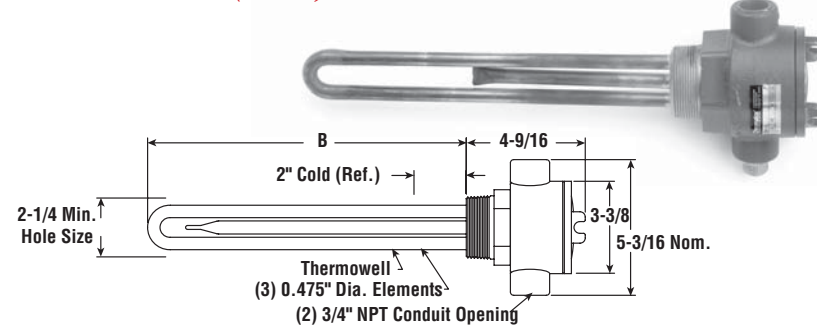
Severely Corrosive Solution Applications

- 2" NPT Stainless Steel Screw Plug
- INCOLOY® Sheath Elements
- Low Watt Density (15 W/In²)
- 1 - 6 kW
- Without Thermostat
- 240 and 480 Volt, Three Phase
- General Purpose, Moisture Resistant/Explosion Resistant Terminal Enclosure or Moisture Resistant

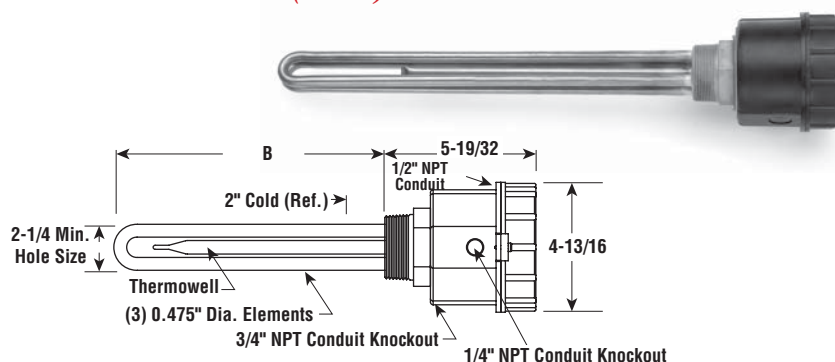
E1 — Dimensions (Inches)



E2 — Dimensions (Inches)



E4TP — Dimensions (Inches)



Specifications and Ordering Information

						E1 General Purpose ¹				E2 Moisture Resistant/Explosion Resistant ²				E4 Moisture Resistant			
kW	Volts	Phase	W/In ²	No. Elem.	DIM B (In.)	Model	Stock	PCN	Wt. (Lbs.)	Model	Stock	PCN	Wt. (Lbs.)	Model	Stock	PCN	Wt. (Lbs.)
1	240	3	15	3	7-3/4	EMTI-301	AS	091440	5	EMTI-301E2	AS	033494	8	EMTI-301E4TP	AS	060759	11
1	480	3	15	3	7-3/4	EMTI-301	AS	091459	5	EMTI-301E2	AS	033507	8	EMTI-301E4TP	AS	060767	11
2	240	3	15	3	17-3/4	EMTI-302	AS	091467	6	EMTI-302E2	AS	033515	9	EMTI-302E4TP	AS	060775	12
2	480	3	15	3	17-3/4	EMTI-302	AS	091475	6	EMTI-302E2	AS	033523	9	EMTI-302E4TP	AS	060783	12
3	240	3	15	3	24-7/8	EMTI-303	AS	091483	7	EMTI-303E2	AS	033531	10	EMTI-303E4TP	AS	060812	13
3	480	3	15	3	24-7/8	EMTI-303	AS	091491	7	EMTI-303E2	AS	033540	10	EMTI-303E4TP	AS	060820	13
4	240	3	15	3	32-7/16	EMTI-304	AS	091504	9	EMTI-304E2	AS	033558	12	EMTI-304E4TP	AS	060855	15
4	480	3	15	3	32-7/16	EMTI-304	AS	091512	9	EMTI-304E2	AS	033566	12	EMTI-304E4TP	AS	060867	15
5	240	3	15	3	40-3/8	EMTI-305	AS	091520	10	EMTI-305E2	AS	033574	13	EMTI-305E4TP	AS	060871	16
5	480	3	15	3	40-3/8	EMTI-305	AS	091539	10	EMTI-305E2	AS	033582	13	EMTI-305E4TP	AS	060880	16
6	240	3	15	3	47-7/8	EMTI-306	AS	091547	12	EMTI-306E2	AS	033590	15	EMTI-306E4TP	AS	060919	18
6	480	3	15	3	47-7/8	EMTI-306	AS	091555	12	EMTI-306E2	AS	033603	15	EMTI-306E4TP	AS	060927	18

Stock Status: S = stock AS = assembly stock NS = non-stock
To Order—Specify model, volts, phase, kW, PCN and quantity.

FASTShip

Same-day shipping on stock item orders received before 4 pm CST.
3-day shipping on assembly-stock items.

1. Heaters with General Purpose Enclosures are UL Listed and CSA Certified.
2. Heaters with Moisture Resistant/Explosion Resistant Enclosures are CSA NRTL/C Certified.