

# Chromalox®

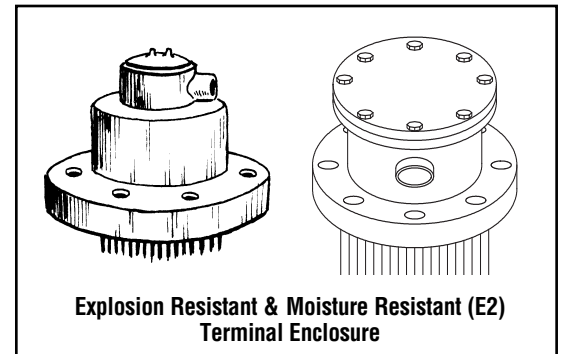
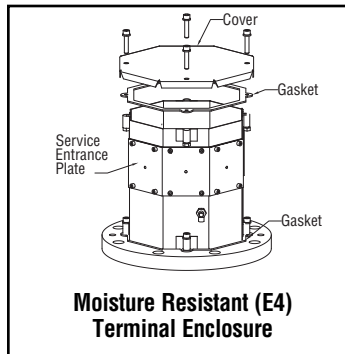
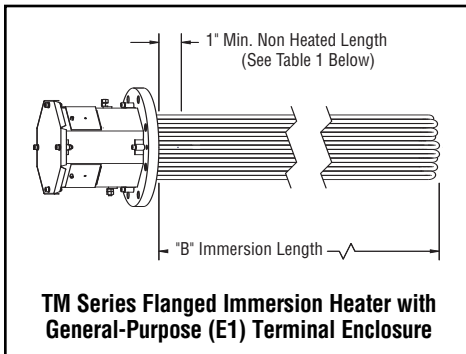
## Installation, Operation and Maintenance Instructions

### SERVICE REFERENCE

DIVISION 4	SECTION TM
SALES REFERENCE	PD457
161-306157-001	
DATE	JULY, 2008

## Type TM- Series Industrial Flanged Immersion Heaters

**Note: These instructions relate to all enclosure styles shown within.**



### GENERAL

#### ⚠ WARNING

**FIRE/EXPLOSION HAZARD. Do not exceed the Pressure-Temperature rating of the flange as listed in ANSI B16.5.**

Chromalox TM- Series industrial flanged immersion heaters are designed for a wide variety of heating applications.

#### 1. Heater Construction Characteristics:

- High quality resistance wire held in place by compacted Magnesium Oxide Refractory enclosed in a wide variety of sheath materials.
- Low to high watt densities.
- Standard selection of sheath materials include copper, steel, INCOLOY® alloy and stainless steel. This broad selection of sheath materials will operate successfully in many corrosive solutions.

**IMPORTANT: It is the responsibility of the purchaser of the heater to make the ultimate choice of sheath material based upon their knowledge of the chemical composition of the corrosive solution, character of the materials entering the solution, and controls which he maintains on the process.**

#### ⚠ WARNING

**FIRE/EXPLOSION HAZARD. Sheath corrosion can result in a ground fault which, depending upon the solution being heated, can cause an explosion or fire.**

- Pipe flange sizes in 3, 5, 6, 8, 10, 12 and 14 inches are standard. Other sizes are also available.
- Units are available with E1 General Purpose, E4 Moisture Resistant and E2 Explosion/Moisture-Resistant terminal enclosures.

#### ⚠ WARNING

**FIRE HAZARD. An integral thermostat, if provided, is designed for temperature control service only. Because the thermostat does not fail safe, it should not be used for temperature limiting duty. Wiring to this device is the responsibility of the user.**

#### ⚠ WARNING

**The system designer is responsible for the safety of this equipment and should install adequate back-up controls and safety devices with their electric heating equipment. Where the consequences of failure could result in personal injury or property damage, back-up controls are essential.**

Table 1

Flange Size	Cold End
3"	4"
5"	4"
6"	4"
8"	6"
10"	6"
12"	6"
14"	6"

#### Note:

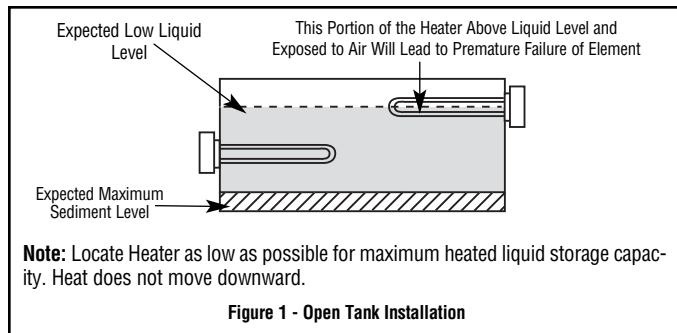
Cold ends listed are standard. However, special cold ends may be used upon request.

## INSTALLATION

### ⚠ WARNING

**ELECTRIC SHOCK HAZARD. Disconnect all power before installing or servicing heater. Failure to do so could result in personal injury or property damage. Heater must be installed by a qualified person in accordance with the National Electrical Code, NFPA 70.**

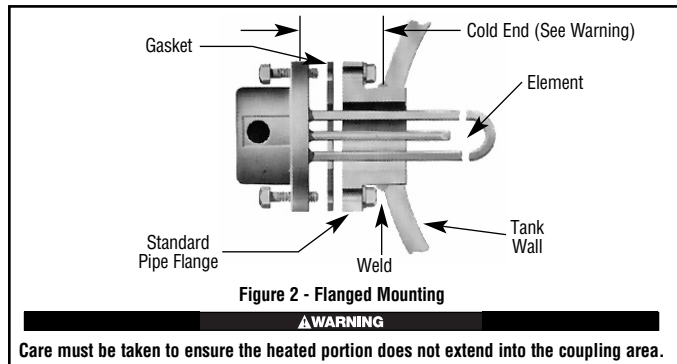
1. Before installing, unpack and check your TM series immersion heater for any damage that may have occurred during shipment. Report any claims to your carrier if damage has occurred in shipment. **Do not operate damaged equipment. Consult factory for instructions.**
2. Check to ensure that the line voltage is the same as that stamped on the nameplate. Verify wattage and capacity versus the requirements at installation site.
3. Do not bend the heating elements. If bending is necessary, consult factory.
4. **IMPORTANT:** Mount the heater in the tank so that the liquid level will always be above the effective heated portion of the heater. If the heater is not properly submerged, it may overheat and damage the heating elements (see Figure 1).



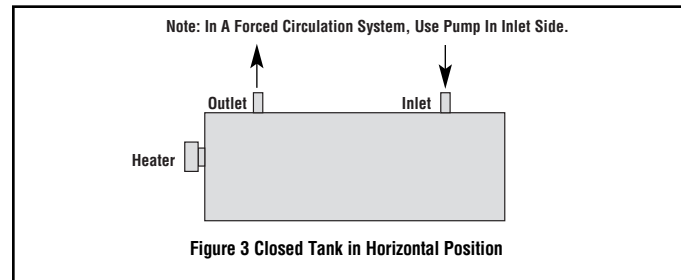
### ⚠ WARNING

**FIRE HAZARD. If the heater is not properly submerged, the heating elements will overheat and could result in a fire or damaged equipment.**

5. Where work will pass over or near equipment, additional protection such as a metal guard may be needed.
6. Heater must not be operated in sludge.
7. The gasket surface must be clean and dry before the heater is seated (see Figure 2).
8. Closed Tank Installation  
**Note:** When heating in closed vessels, controls and back-up controls must be used to prevent buildup of temperature and/or pressure.

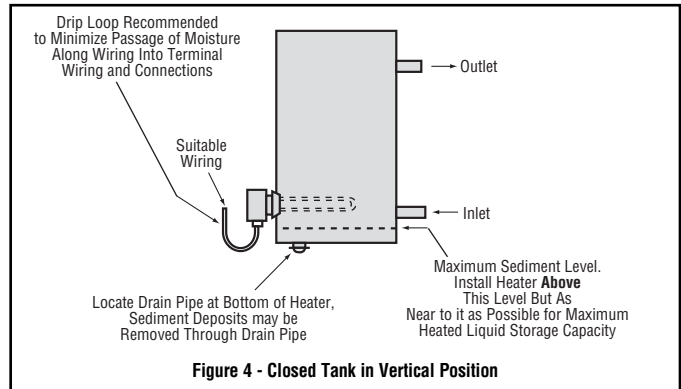


### A. Horizontal Position (Figure 3)



- A1. Place heater at an elevation so that natural circulation can take place.
- A2. Position outlet and inlet in a vertical plane, facing upward to prevent air pockets. Be sure all trapped air is removed from the closed tank. Bleed the air out of the liquid piping system and heater enclosure prior to operation.
- A3. **IMPORTANT:** Heater should never be located at the highest point of the water system. Provide expansion tank if necessary.
- A4. Heaters shall be supported if the immersion length is greater than 36".

### B. Vertical Position (Figure 4)



9. A drip loop is recommended to minimize passage of moisture from condensation along wiring into terminal box enclosure and connections.

### ⚠ WARNING

**FIRE HAZARD. Since heaters are capable of developing high temperatures, extreme care should be taken to:**

- A. Use explosion-resistant terminal enclosures in hazardous locations. See Chromalox catalog for selection of explosion-resistant terminal enclosure for hazardous locations.
- B. Avoid contact between heater and combustible materials.
- C. Keep combustible materials far enough away to be free of the effects of high temperatures.

### ⚠ WARNING

**FREEZE HAZARD. This unit may be equipped with a thermowell for process control or over-temperature control. Do not allow moisture to accumulate in thermowell. Freezing temperatures can cause damage that may result in the heated medium leaking into terminal enclosure.**

## INSTALLATION (cont'd)

10. To prevent moisture accumulation in cryogenic applications or when heater is exposed to freezing temperatures:
  - A. Slope conduit away from enclosure (drip loop).
  - B. Seal all conduit openings to moisture/explosion resistant terminal enclosure.
  - C. Insulate terminal enclosure.
  - D. Fill thermowell(s) with silicone fluid when heater is mounted with terminal enclosure up.

### BEFORE ENERGIZING

1. Check that the gasket is in place and the flange is securely bolted to the tank.
2. Check that power supply connections are made according to the wiring diagram. Also check for positive connection of all bus bars and power supply leads.

3. Check all bussing hardware is tightened to 20-25 in-lbs.
4. Check all bussing to element connections are tightened to 14-17 in-lbs.

## ⚠ WARNING

**FIRE OR SHOCK HAZARD: Moisture accumulation in the element refractory material, element over-temperature, or sheath corrosion can cause ground fault to the element sheath, generating arcing and molten metal. Install Ground Fault Circuit-Interrupter (GFCI) to prevent personal injury or Equipment Ground Fault Protection to prevent property damage.**

## THERMOSTATS

1. Integrally mounted thermostats are available: single throw models.
2. Electrical rating of thermostats:

Voltage	Thermostat Type	
	T1	T2
120	30 Amps	30 Amps
240	30 Amps	30 Amps
480	Pilot Duty	Pilot Duty

3. Thermostats may be connected directly to heaters that are rated within the electrical capacities specified. When the heater phase or amperage exceeds the contact rating of the thermostat, the heater should be controlled by a magnetic contactor with the thermostat wired for pilot duty. Refer to the thermostat instruction sheet packed with the heater.
4. If optional thermostat kit is purchased, please refer to instruction manual shipped with kit for proper bracket and thermostat mounting
5. **WARNING:** To maintain third party listing on an E4 housing, do not add any sparking device, such as a thermostat, inside the terminal enclosure.

## WIRING

### ⚠ WARNING

**ELECTRIC SHOCK HAZARD. Disconnect all power before installing or servicing heater. Failure to do so could result in personal injury or property damage. Heater must be installed by a qualified person in accordance with the National Electrical Code, NFPA 70.**

### ⚠ WARNING

**ELECTRIC SHOCK HAZARD. Any installation involving electric heaters must be performed by a qualified person and must be effectively grounded in accordance with the National Electrical Code to eliminate shock hazard.**

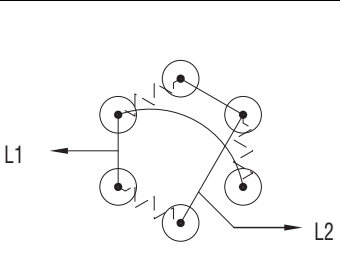
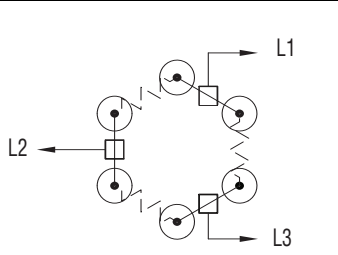
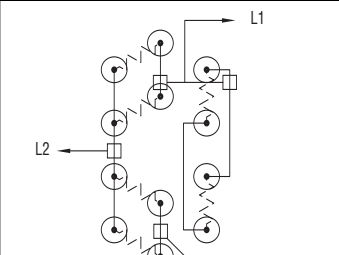
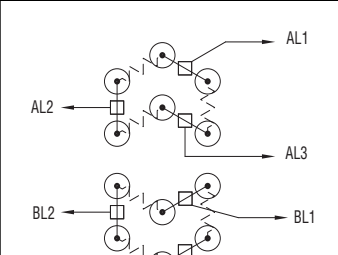
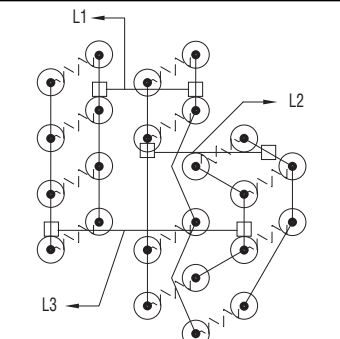
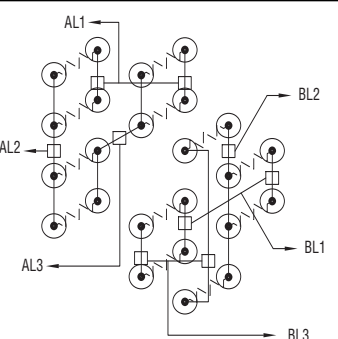
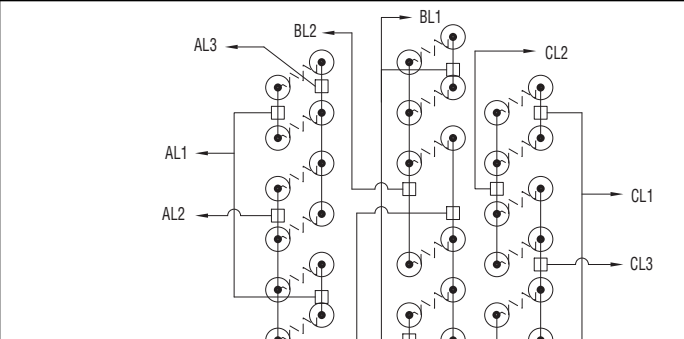
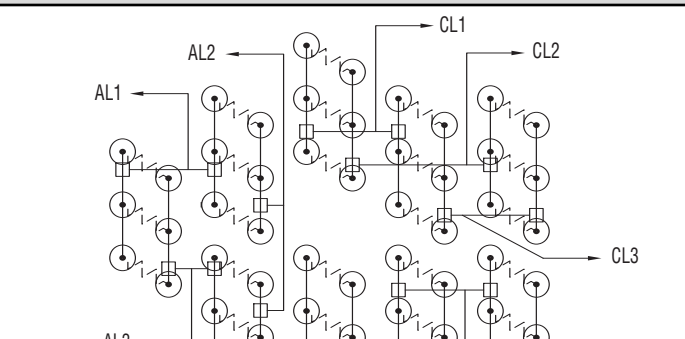
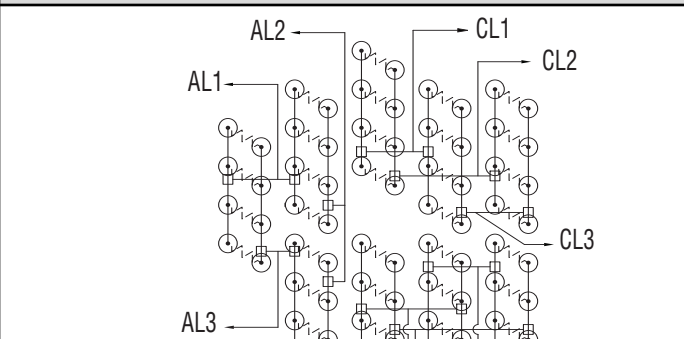
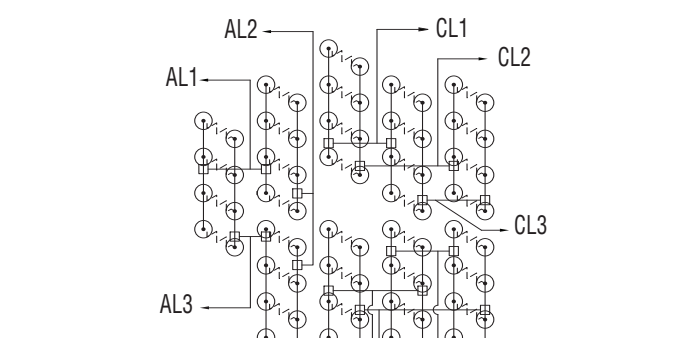
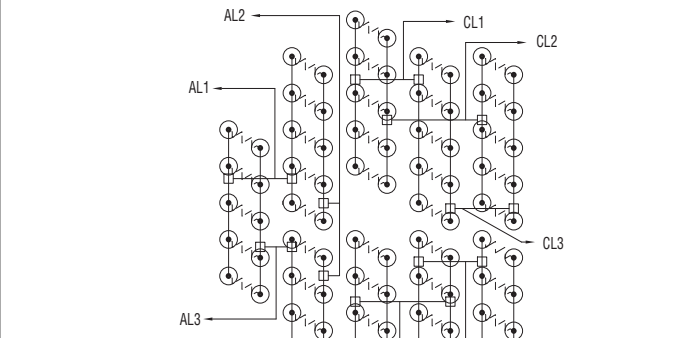
1. Electric wiring to heater must be installed in accordance with the National Electrical Code, International Electric code and/or with local codes by a qualified person.
2. When element wattages are not equal, heaters must not be connected in series.
3. Electrical wiring to heater should be contained in rigid conduit or in sealed flexible conduit to keep corrosive vapors and liquids out of the terminal enclosure. If high humidity is encountered, the conduit should slope away from the heater.
4. If flexible cord is employed, a watertight connector should be used for entry of the cord into the terminal enclosure. Outdoor applications require liquid-tight conduit and connectors.
5. Bring the power line wires through the opening in the terminal box.
6. Heaters are prewired and tagged for easy installation of electrical wiring to the heater. Tagging of the individual circuits of Chromalox TM industrial flanged heaters are shown in the following tabulation:

TM Series (No. of Elements)	No. Circuits (Standard)	Phase	Tagging
3	1	1	L1 & L2
	1	3	L1, L2 & L3
6	1	1	L1 & L2
	1	3	L1, L2 & L3
12	2	3	AL1, AL2, AL3 BL1, BL2 BL3
	2	3	AL1, AL2, & AL3 BL1, BL2 & BL3
18 Thru 45	3	3	AL1, AL2, & AL3 BL1, BL2 & BL3 CL1, CL2 & CL3

**Note:** Bussing tags are made with a non-conducting material. Please leave in place for proper identification during wiring.

7. Check for loose terminal connections and tighten if necessary. Made to order items are prewired and tagged at the factory. Wiring of made to order items may differ from those shown in the tabulation. **Carefully check voltage and phase on the heater nameplate and select either the appropriate wiring shown above or check for the appropriate wiring diagram in the heater terminal enclosure.** For reference purposes, some typical wiring diagrams are shown in the following figures.
8. The current carrying capacity of the power supply leads should exceed the heater amperage by at least 25%. Be sure to consider the ambient operating temperature and apply the appropriate correction factor to the ampacity rating of the wire. Heaters with the same voltage and wattage may be connected in series for operation at a higher voltage.

# TYPICAL WIRING DIAGRAMS

TM Series - 3 Element (All sheath materials)		TM Series - 6 Element (All sheath materials)	
 <p style="text-align: center; margin-top: 10px;"><b>3 ELEMENT 1 CIRCUIT, 1 PHASE</b> SEE HEATER NAMEPLATE FOR VOLTAGE</p>	 <p style="text-align: center; margin-top: 10px;"><b>3 ELEMENT 1 CIRCUIT, 3 PHASE</b> SEE HEATER NAMEPLATE FOR VOLTAGE</p>	 <p style="text-align: center; margin-top: 10px;"><b>6 ELEMENT 1 CIRCUIT, 3 PHASE</b> SEE HEATER NAMEPLATE FOR VOLTAGE</p>	 <p style="text-align: center; margin-top: 10px;"><b>6 ELEMENT 2 CIRCUIT, 3 PHASE</b> SEE HEATER NAMEPLATE FOR VOLTAGE</p>
TM Series - 12 Element (All sheath materials)		TM Series - 18 Element (All sheath materials)	
 <p style="text-align: center; margin-top: 10px;"><b>12 ELEMENT 1 CIRCUIT, 3 PHASE</b> SEE HEATER NAMEPLATE FOR VOLTAGE</p>	 <p style="text-align: center; margin-top: 10px;"><b>12 ELEMENT 2 CIRCUIT, 3 PHASE</b> SEE HEATER NAMEPLATE FOR VOLTAGE</p>	 <p style="text-align: center; margin-top: 10px;"><b>18 ELEMENT 3 CIRCUIT, 3 PHASE</b> SEE HEATER NAMEPLATE FOR VOLTAGE</p>	
TM Series - 27 Element (All sheath materials)		TM Series - 36 Element (All sheath materials) 208-600V	
 <p style="text-align: center; margin-top: 10px;"><b>27 ELEMENT 3 CIRCUIT, 3 PHASE</b> SEE HEATER NAMEPLATE FOR VOLTAGE</p>	 <p style="text-align: center; margin-top: 10px;"><b>36 ELEMENT 3 CIRCUIT, 3 PHASE</b> SEE HEATER NAMEPLATE FOR VOLTAGE</p>		
TM Series - 36 Element (All sheath materials) 380-600V		TM Series - 45 Element (All sheath materials)	
 <p style="text-align: center; margin-top: 10px;"><b>36 ELEMENT 3 CIRCUIT, 3 PHASE</b> SEE HEATER NAMEPLATE FOR VOLTAGE</p>	 <p style="text-align: center; margin-top: 10px;"><b>45 ELEMENT 3 CIRCUIT, 3 PHASE</b> SEE HEATER NAMEPLATE FOR VOLTAGE</p>		

## WIRING INSTALLATION

### Wiring

Use only Type E4 or E2 terminal enclosures in hazardous location environments as applicable. The proper use of Type E4 or E2 terminal enclosures on electric heaters located in hazardous areas requires that all electrical wiring comply with National Electrical Code (NEC) and/or International Electric Code requirements for hazardous locations.

### Wiring Entrance Locations

Flange sizes 6" or larger that use Chromalox E1 or E4 offer several convenient options for conduit wiring & location. The housing is equipped with two removable service entrance plates for installation of wiring. Any or all of the six sides can be used for wiring locations. Refer to exploded view drawing. The housing can also be rotated (by removal from flange) to allow for more position possibilities. To install service entrance holes, simply remove the side Allen screws and use the centering depression to drill the appropriate size hole. Reinstall the gasket(s), if applicable, and service entrance plates by tightening the Allen head screws to 4-5 in-lbs. The 'Octobox' style of housing can be removed for ease of access to element bussing or to better locate the power conduit(s) entry point. To accomplish, simply remove the Allen-head screws on the outside of the housing. When reinstalling, be sure to properly align gasket, if applicable, and tighten to 40-50 in-lbs.

### Tip for reinstalling gaskets

Place Allen Head screws through metal covers and gently push gasket hole over the threaded screw. This will allow the gasket to stay in place while tightening the cover.

### Maximum Temperatures

Safe operation in a hazardous location requires the maximum operating temperatures of all exposed surfaces of the heater including temperatures on the outside of the vessel, piping, flanges, screw plugs, enclosures and other heat conducting parts be limited. The flammable liquids, vapors or gases present determine the maximum

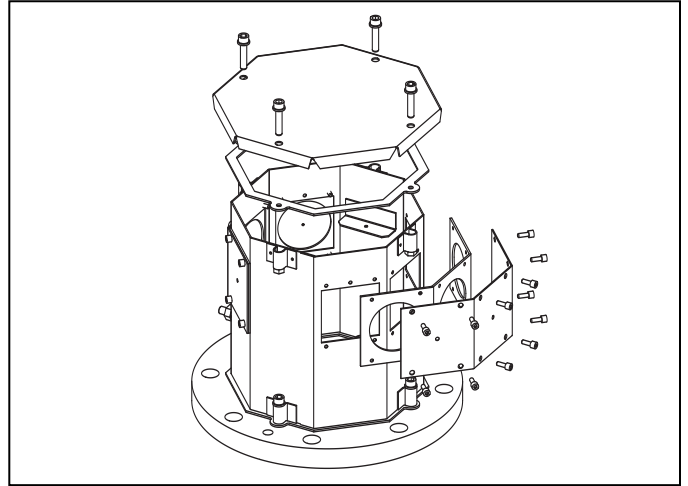
surface temperature permitted in any hazardous location. The end user or purchaser of the electric heating equipment is responsible for determining the proper classification of an area and for providing Chromalox with hazardous area specifications and requirements for proper equipment design. (NEC and IEC provide guidelines for evaluating and classifying hazardous locations.)

### Safety Devices

Approved pressure and/or temperature limiting controls must be used on electric heaters and heating elements to ensure safe operation in the event of system malfunctions.

**Note:** Locations including hydrogen gas require additional conduit seals and thread engagement.

### Terminal Housing, Exploded View - 'Octobox' Style

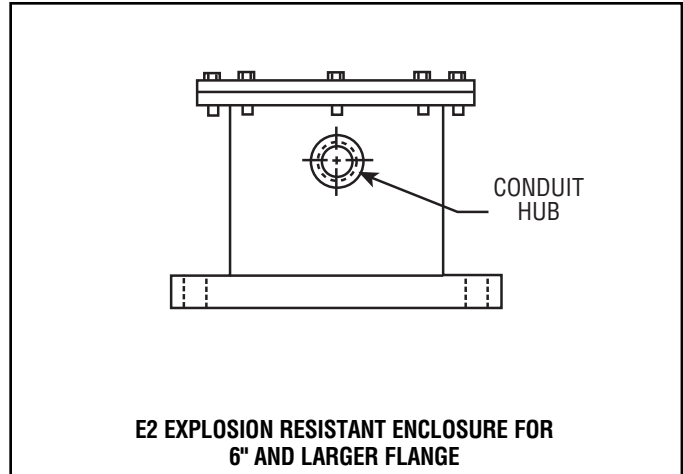
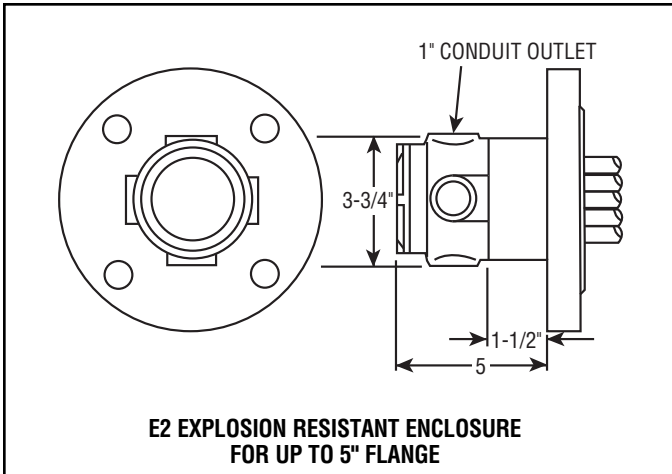
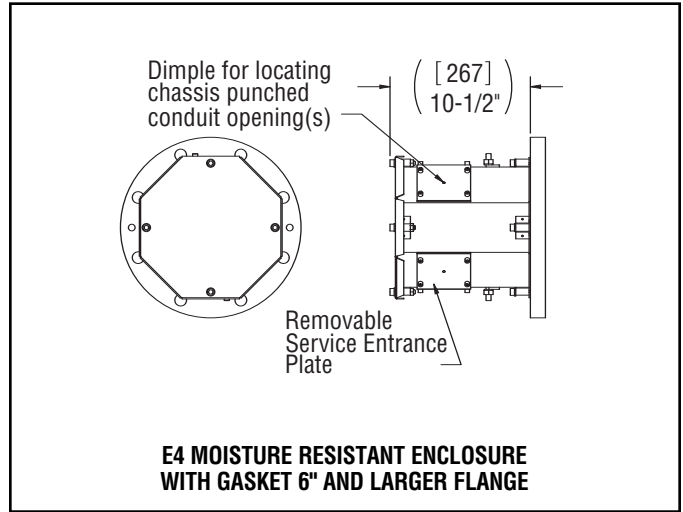
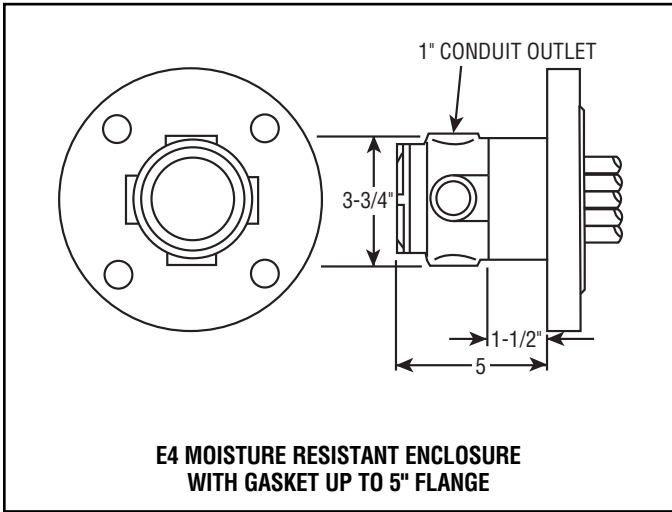
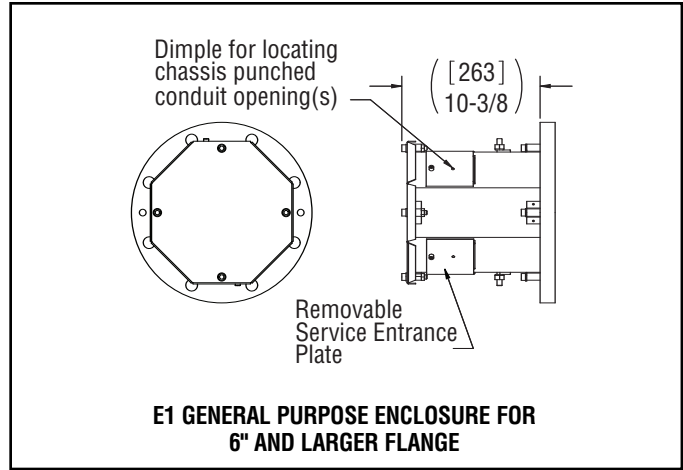
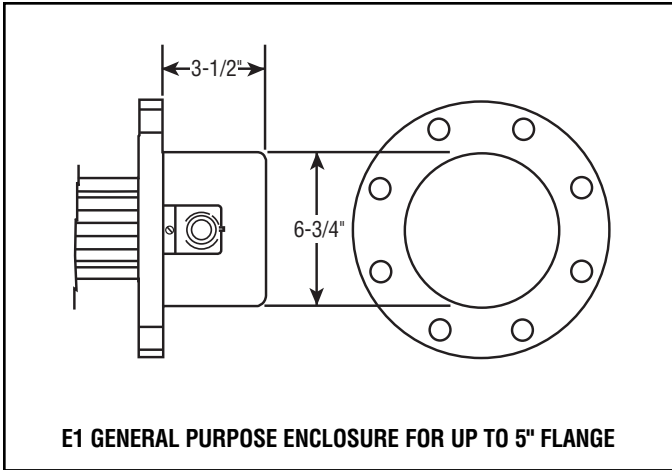


### Third Party Certifications by Housing Style

Model	Purpose		North American Designation (s)	Canadian Designation (s)	European Designation (s)	International Designation (s)
E1	<b>General Purpose</b>	Generic Agency (s) Ratings	NEMA 1, NEC UL/CSAus General Duty Only	NEMA 1 IP32 CSA General Duty Only	IP32 CE: Manufacturer's Declaration General Duty Only	CE: Manufacturer's Declaration General Duty Only
E4*	<b>Moisture Resistant</b> <b>Note:</b> Temps over T3 (200°C) require stand-offs for third party listing. Refer to IECex & ATEX certifs. for stand-off dimensions	Generic Agency (s) Ratings	NEMA 4 UL / CSAus Class I Div. 2, Groups B, C, D Class II Division 2, Groups E, F: 200°C (T3) Group G 165°C (T3B) Class I Zone 2 AEx nA II T1 to T6	NEMA 4 CSA Class I Div. 2, Groups B, C, D Class II Division 2, Groups E, F: 200°C (T3) Group G 165°C (T3B) Class I Zone 2 Ex nA II T1 to T6	IP66 CE: Manufacturer's Declaration II 3 G Ex nA II T1 to T6	IP66 CE: Manufacturer's Declaration Ex nA II T1 to T6
E2	<b>Moisture/Explosion Resistant</b> <b>Note:</b> Temps over T4 (135°C) require stand-offs for third party listing. Refer to IECex & ATEX certifs. for stand-off dimensions	Generic Agency (s) Ratings	Explosion Resistant CSAus Class I, Div. 1 Groups B,C & D Class II, Div. 1 Groups E, F & G Class I Zone 1 AEx d IIB + H2 T1 to T6	Explosion Resistant CSA Class I, Div. 1 Groups B,C & D Class II, Div. 1 Groups E, F & G Class I Zone 1 Ex d IIB + H2 T1 to T6	Explosion Resistant ATEX II 2 G EEx d IIB+H2 T1 to T6	Explosion Resistant IECex Ex d IIB+H2 T1 to T6
E5  Flange Size 3" - 8" 8" - 12" 12" - 18"	<b>Moisture/Explosion Resistant</b>  <b>ATEX IIC Labeling Reference</b> CFP4 CFP8 CFP12	Generic Agency (s) Ratings			ITS ATEX II 2 G EEx de IIC T1 to T6, 540°C, 600°C	IECex Ex de IIC T1 to T6 540°C, 600°C

\***WARNING:** Addition of a sparking device, such as a Thermostat, to an E4 housing will annul hazardous area rating.

## ENCLOSURE STYLES



**Note:** These are typical enclosure styles. The heater purchased may vary slightly.

## OPERATION

1. Do not operate heaters at voltages in excess of that stamped on the heater since excess voltage will shorten heater life.
2. Always maintain a minimum of 2" of liquid above the heated portion of the element to prevent exposure of the effective heated length. If the heater is not properly submerged, it may over-heat and shorten heater life. **DO NOT OPERATE HEATER IF DRY.**
3. Be sure all trapped air is removed from a closed tank. Bleed the air out of the liquid piping system and heater enclosure prior to energizing.  
**Note:** The tank or heating chamber in closed tank systems must be kept filled with liquid at all times.
4. Keep heating elements above sediment deposits.
5. **Low Megohm Condition** — The refractory material used in electric heaters may absorb moisture during transit, storage or when subject to humid environments that will reduce the cold insulation resistance (low megohm). Low megohm may result in high leakage current to ground and nuisance trips of ground fault protection equipment. Normally, the megohm value increases after heat-up.

Typical insulation values are 5 megohm or greater on complete assemblies of unsealed elements or 20 megohm on individual unsealed elements. It is recommended that heaters with 1 megohm or less be dried out before applying full power. If dried properly low megohm will not effect heater life or efficiency.

To correct a low megohm condition, remove terminal enclosure cover, gaskets, and terminal hardware. Bake heaters in an oven at 300 to 350°F for several hours or preferably overnight.

An alternate procedure is to cycle the heater in 10 to 15 minute periods at low voltage until megohm values are normal. Sheath temperatures should not exceed 350°F.

**Note:** Low megohm on heating elements with epoxy or hermetic seals cannot be serviced in the field. Typical resistance values when sealed are 200 megohm or greater. Contact Chromalox service center at number listed.

When using an element sheath thermocouple, be sure to install flange with the imprinted "TOP" designation directly upward.

## MAINTENANCE

### **⚠ WARNING**

**ELECTRIC SHOCK HAZARD. Disconnect all power before installing or servicing heater. Failure to do so could result in personal injury or property damage.**

1. Heaters should be checked regularly for coatings and corrosion and cleaned if necessary.
2. The tank should be checked regularly for sediment around the heater as sediment can act as an insulator and shorten heater life.  
**Note:** User is responsible for maintenance schedule based on their knowledge of the heated medium and operating conditions.
3. Remove any accumulated sludge deposits from heater and from tank.
4. Check for loose terminal connections and tighten if necessary.
5. If corrosion is indicated in the terminal enclosure, check terminal enclosure gasket and replace if necessary. Check conduit layout to correct conditions that allow moisture to enter the terminal enclosure.
6. Clean terminal ends of all contamination.
7. The heater can be protected from possible mechanical damage by placing a screen or grill around the elements.
8. Protect the terminal end of the heater from spray, condensation, dripping and vapors. A protective terminal enclosure should be used if the heater is to be subjected to these conditions.

9. If the heater is to be operated in the presence of explosive vapors or dust, an explosion resistant terminal enclosure must be provided.
10. Do not set the thermostats above the boiling point of the liquid. The boiling liquid could create a steam pocket which could cause the element(s) to overheat and burn out.
11. Periodically, remove the heater from the tank to inspect the elements for signs of corrosion and remove any deposits from the sheath. **BE SURE POWER IS DISCONNECTED BEFORE REMOVING ELEMENTS.**
12. Be sure the sheath material is compatible with the material being heated. Copper sheathed elements are used to heat water. Steel sheath elements are used to heat oil, alkaline, wax and other similar materials. Stainless steel and Incoloy sheathed elements are most often used for heating water and corrosive solutions. Check with the supplier of the material or factory for a recommendation of a suitable sheath material.
13. Make sure the watt-density of the heater is suitable for the material being heated. The velocity, viscosity, thermal conductivity of the material and operating temperature are all factors in determining the allowable watt-density of the element. Consult factory if in doubt about the proper watt-density for the heater in a particular application.
14. When heating liquids in a large tank, the use of several small heaters will provide more uniform heat distribution than a single large heater.

# UNIT IDENTIFICATION

## Chromalox Model Descriptions

Chromalox Flanged Immersion Heaters can be partially identified based on the standardized model build table listed below.

### Model

<b>TM</b>	ANSI Flange Immersion Heater									
	<b>Code</b>	<b>Element Sheath Material</b>								
	(Blank)	Copper								
	<b>O</b>	Carbon Steel								
	<b>S</b>	304 Stainless Steel								
	<b>I</b>	Incoloy 800								
	<b>X</b>	Other Material								
	<b>Code</b>	<b>Flange Material</b>								
	(Blank)	Carbon Steel								
	<b>S</b>	304 Stainless Steel								
	<b>X</b>	Other Material								
	<b>Code</b>	<b>Baffled Flow</b>								
	(Blank)	No Baffles								
	<b>B</b>	Baffled Flow								
	<b>Code</b>	<b>Number of Elements</b>								
	<b>03</b>	Three Heating Elements								
	<b>06</b>	Six Heating Elements								
	<b>12</b>	Twelve Heating Elements								
	<b>18</b>	Eighteen Heating Elements								
	<b>27</b>	Twenty-Seven Heating Elements								
	<b>36</b>	Thirty-Six Heating Elements								
	<b>45</b>	Forty-Five Heating Elements								
	<b>Code</b>	<b>Wattage</b>								
	<b>004P5</b>	4.5 kW (use actual kilowatt in 3 digits)								
	<b>Code</b>	<b>Terminal Housing Style</b>								
	<b>E1</b>	General Purpose								
	<b>E4</b>	Moisture Resistant								
	<b>E2</b>	Explosion / Moisture Resistant								
	<b>E5</b>	Explosion / Moisture Resistant - addition of Group IIC w/ Acetylene (IEC only)								
	<b>Code</b>	<b>Non-Standard Feature</b>								
	(Blank)	Catalog PCN item								
	<b>XX</b>	Custom Feature								
	<b>Code</b>	<b>Voltage</b>								
	<b>208</b>	208V								
	<b>240</b>	240V								
	<b>380</b>	380V								
	<b>415</b>	415V								
	<b>480</b>	480V								
	<b>575</b>	575V								
	<b>Code</b>	<b>Number of circuits</b>								
	<b>1</b>	One								
	<b>2</b>	Two								
	<b>3</b>	Three								
	<b>4</b>	Four								
	<b>Code</b>	<b>Phase</b>								
	<b>1P</b>	Single Phase								
	<b>3P</b>	Three Phase								
	<b>Code</b>	<b>Kilowatts</b>								
	<b>4.5</b>	kW								
<b>TM</b>	<b>I</b>	<b>- 03</b>	<b>- 004P5 - E4</b>	<b>480V</b>	<b>1</b>	<b>- 3P</b>	<b>4.5</b>	<b>kW</b>	<b>Typical Model Number</b>	

**Example of Final Model Description:** TMI-03-004P5-E4 480V 1-3P 4.5kW

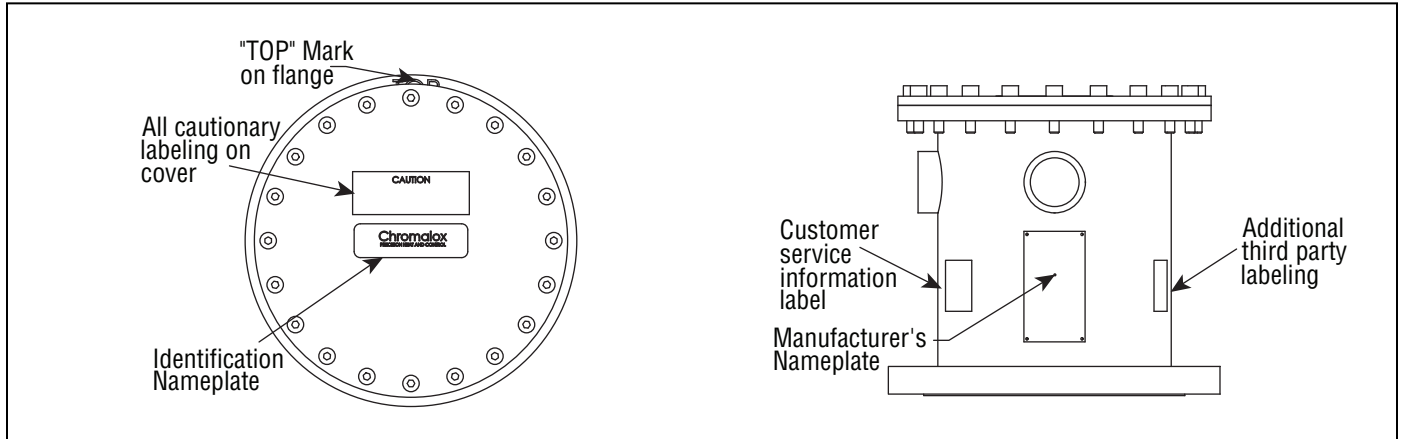
**Note:** Shaded sections of the model build table are not a finite list. Items such as Number of Elements, Wattage, Voltage, Circuits, and Phase should be adjusted to match design.

## UNIT IDENTIFICATION (CONT'D.)

### Labeling Descriptions

Specific model information such as the unique Chromalox part number, manufacturing date, third party certifications, etc. can be found by

using the diagram below. For additional information not contained here, please contact you local Chromalox Sales Office.



## SPARE PARTS LIST FOR ANSI FLANGE HEATERS

Flange Size	3"	5"	6"	8"	10"	12"	14"
150# ANSI Flange Gasket	132-017222-015	132-017222-016	132-017222-005	132-017222-007	132-017222-009	132-017222-011	132-017222-013
(1) Set of Flange Bolting & Nuts (rated 150LB*)	168-306161-001	168-306161-002	168-306161-003	168-306161-004	168-306161-005	168-306161-006	168-306161-007
Terminal Housing Cover (E1)	080-013022-001	080-013063-001	080-305809-006	080-305809-008	080-305809-010	080-305809-012	080-305809-014
Blank Service Entrance Plate (E1)	027-014672-001	027-014672-001	080-305942-006	080-305942-008	080-305942-010	080-305942-012	080-305942-014
(1) Set of Cover/Enclosure Bolts & Nuts (E1&E4)	N/A	N/A	168-306161-008	168-306161-008	168-306161-008	168-306161-009	168-306161-009
Terminal Housing Cover (E4)	N/A	N/A	080-305809-006	080-305809-008	080-305809-010	080-305809-012	080-305809-014
Blank Service Entrance Plate (E4)	N/A	N/A	080-305807-006	080-305807-008	080-305807-010	080-305807-012	080-305807-014
Service Entrance Plate Gasket (E4)	N/A	N/A	132-305811-006	132-305811-008	132-305811-010	132-305811-012	132-305811-014
Terminal Housing to Flange Gasket (E4)	N/A	N/A	132-305810-006	132-305810-008	132-305810-010	132-305810-012	132-305810-014
Terminal Housing Cover Gasket (E4)	N/A	N/A	132-305810-006	132-305810-008	132-305810-010	132-305810-012	132-305810-014
Terminal Housing Cover Gasket (E2)	132-305967-004	132-305969-005	132-116937-040	132-116937-044	132-116937-047	132-116937-046	132-116937-050
Terminal Housing Cover (E2)	080-305967-003	080-305969-004	080-306161-021	080-306161-022	080-306161-023	080-306161-024	080-306161-025
(1) Set of Cover/Enclosure Bolts (E2)	N/A	N/A	168-306161-010	168-306161-011	168-306161-012	168-306161-013	168-306161-014
Thermostat Install Kit (Parts to Mount Thermostat-E1)	N/A	N/A	300-306012-009	300-306012-001	300-306012-010	300-306012-012	300-306012-014
Thermostat Install Kit (Parts to Mount Thermostat-E4)	N/A	N/A	300-306012-009	300-306012-001	300-306012-010	300-306012-012	300-306012-014
Thermostat Install Kit (Parts to Mount Thermostat-E2)	N/A	300-306012-005	300-306012-007	300-306012-008	300-306012-011	300-306012-013	300-306012-015
Thermostat (0-100 deg. F)	N/A	300-048518-012	300-048518-012	300-048518-012	300-048518-012	300-048518-012	300-048518-012
Thermostat (60-250 deg. F)	N/A	300-048518-013	300-048518-013	300-048518-013	300-048518-013	300-048518-013	300-048518-013
Thermostat (200-550 deg. F)	N/A	300-048518-014	300-048518-014	300-048518-014	300-048518-014	300-048518-014	300-048518-014
Element Buss Bar 17" (User cut to Length)	N/A	N/A	166-305730-009	166-305730-009	166-305730-009	166-305730-009	166-305730-009
Line Buss Bar 17" (User cut to Length)	N/A	N/A	166-305730-006	166-305730-006	166-305730-006	166-305730-006	166-305730-006
Power Connection Bussing (hardware included)	N/A	N/A	168-306161-015	168-306161-016	168-306161-017	168-306161-018	168-306161-019
Circuit Labels (Pack of 9 unique labels-3 circuits)				168-306161-020			

\* = Grade SA-325, oiled structural steel.

#### **WARRANTY AND LIMITATION OF REMEDY AND LIABILITY**

Chromalox warrants only that the Products and parts manufactured by Chromalox, when shipped, and the work performed by Chromalox when performed, will meet all applicable specification and other specific product and work requirements (including those of performance), if any, and will be free from defects in material and workmanship under normal conditions of use. All claims for defective or nonconforming (both hereinafter called defective) Products, parts or work under this warranty must be made in writing immediately upon discovery, and in any event, within one (1) year from delivery, provided, however all claims for defective Products and parts must be made in writing no later than eighteen (18) months after shipment by Chromalox. Defective and nonconforming items must be held for Chromalox's inspections and returned to the original f.o.b. point upon request. THE FOREGOING IS EXPRESSLY IN LIEU OF ALL OTHER WARRANTIES WHATSOEVER, EXPRESS, IMPLIED AND STATUTORY, INCLUDING, WITHOUT LIMITATION, THE IMPLIED WARRANTIES OF MERCHANTABILITY AND FITNESS FOR A PARTICULAR PURPOSE.

Notwithstanding the provisions of this WARRANTY AND LIMITATION Clause, it is specifically understood that Products and parts not manufactured and work not performed by Chromalox are warranted only to the extent and in the manner that the same are warranted to Chromalox by Chromalox's vendors, and then only to the extent that Chromalox is reasonably able to enforce such warranty, it being understood Chromalox shall have no obligation to initiate litigation unless Buyer undertakes to pay all cost and expenses therefor, including but not limited to attorney's fees, and indemnifies Chromalox against any liability to Chromalox's vendors arising out of such litigation.

Upon Buyer's submission of a claim as provided above and its substantiation, Chromalox shall at its option either (i) repair or replace its Products, parts or work at the original f.o.b. point of delivery or (ii) refund an equitable portion of the purchase price.

THE FOREGOING IS CHROMALOX'S ONLY OBLIGATION AND BUYER'S EXCLUSIVE REMEDY FOR BREACH OF WARRANTY, AND IS BUYER'S EXCLUSIVE REMEDY AGAINST CHROMALOX FOR ALL CLAIMS ARISING HEREUNDER OR RELATING HERETO WHETHER SUCH CLAIMS ARE BASED ON BREACH OF CONTRACT, TORT (INCLUDING NEGLIGENCE AND STRICT LIABILITY) OR OTHER THEORIES, BUYER'S FAILURE TO SUBMIT A CLAIM AS PROVIDED ABOVE SHALL SPECIFICALLY WAIVE ALL CLAIMS FOR DAMAGES OR OTHER RELIEF, INCLUDING BUT NOT LIMITED TO CLAIMS BASED ON LATENT DEFECTS. IN NO EVENT SHALL BUYER BE ENTITLED TO INCIDENTAL OR CONSEQUENTIAL DAMAGES AND BUYER SHALL HOLD CHROMALOX HARMLESS THEREFROM. ANY ACTION BY BUYER ARISING HEREUNDER OR RELATING HERETO, WHETHER BASED ON BREACH OF CONTRACT, TORT (INCLUDING NEGLIGENCE AND STRICT LIABILITY) OR OTHER THEORIES, MUST BE COMMENCED WITHIN ONE (1) YEAR AFTER THE DATE OF SHIPMENT OR IT SHALL BE BARRED.

**W2008M**

# **Chromalox<sup>®</sup>**

**PRECISION HEAT AND CONTROL**

2150 N. RULON WHITE BLVD., OGDEN, UT 84404  
Phone: 1-800-368-2493      [www.chromalox.com](http://www.chromalox.com)