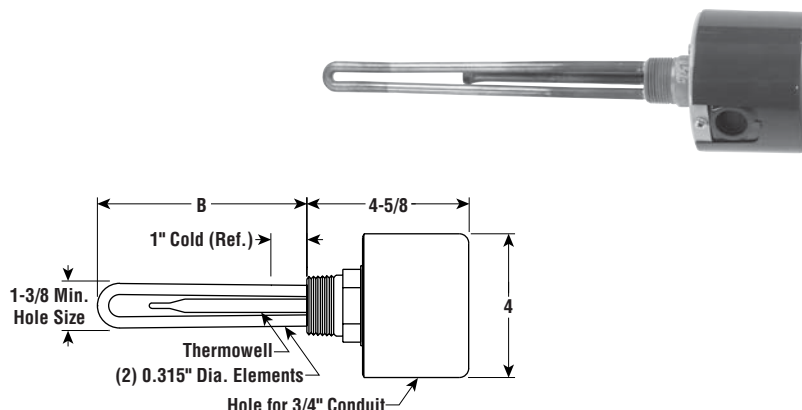


Immersion

ARMT-1 Clean Water Applications

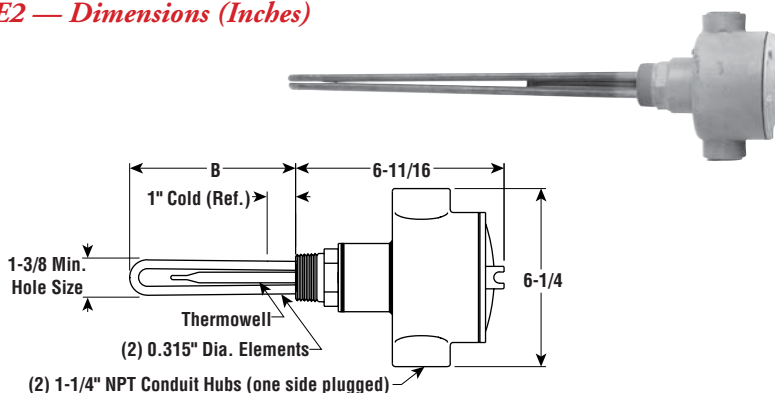
- 1-1/4" NPT Brass Screw Plug
- Copper Sheath Elements
- High Watt Density (43 - 86 W/In²)
- 1 - 2 kW
- Integral Thermostat (SPST)
- 120 and 240 Volt, Single Phase
- General Purpose or Moisture Resistant/Explosion Resistant Terminal Enclosure

E1 — Dimensions (Inches)



SCREW PLUG

E2 — Dimensions (Inches)



Specifications and Ordering Information

							T4 — Temperature (60 - 187°F)			T5 — Temperature (60 - 240°F)			T8 — Temperature (0 - 127°F)		
kW	Volts	Phase	W/In ²	No. Elem.	DIM B (In.)	Wt. (Lbs.)	Model	Stock	PCN	Model	Stock	PCN	Model	Stock	PCN
E1 General Purpose¹															
1	120	1	43	2	6-1/8	5	ARMT-110-3T4	AS	036564	ARMT-110-3T5	AS	036644	ARMT-110-3T8	AS	036724
1	240	1	43	2	6-1/8	5	ARMT-110-3T4	AS	036572	ARMT-110-3T5	AS	036652	ARMT-110-3T8	AS	036732
1.2	120	1	53	2	6-1/8	5	ARMT-112T4	AS	036580	ARMT-112T5	AS	036660	ARMT-112T8	AS	036740
1.2	240	1	53	2	6-1/8	5	ARMT-112T4	AS	036599	ARMT-112T5	AS	036679	ARMT-112T8	AS	036759
1.5	120	1	65	2	6-1/8	5	ARMT-115T4	AS	036601	ARMT-115T5	AS	036687	ARMT-115T8	AS	036767
1.5	240	1	65	2	6-1/8	5	ARMT-115T4	AS	036610	ARMT-115T5	AS	036695	ARMT-115T8	AS	036775
2	120	1	86	2	6-1/8	5	ARMT-120T4	AS	036628	ARMT-120T5	AS	036708	ARMT-120T8	AS	036783
2	240	1	86	2	6-1/8	5	ARMT-120T4	AS	036636	ARMT-120T5	AS	036716	ARMT-120T8	AS	036791
E2 Moisture Resistant/Explosion Resistant²															
1	120	1	43	2	6-1/8	8	ARMT-110-3E2T4	AS	036804	ARMT-110-3E2T5	AS	036880	ARMT-110-3E2T8	AS	036960
1	240	1	43	2	6-1/8	8	ARMT-110-3E2T4	AS	036812	ARMT-110-3E2T5	AS	036898	ARMT-110-3E2T8	AS	036978
1.2	120	1	53	2	6-1/8	8	ARMT-112E2T4	AS	036820	ARMT-112E2T5	AS	036900	ARMT-112E2T8	AS	036986
1.2	240	1	53	2	6-1/8	8	ARMT-112E2T4	AS	036839	ARMT-112E2T5	AS	036919	ARMT-112E2T8	AS	036994
1.5	120	1	65	2	6-1/8	8	ARMT-115E2T4	AS	036847	ARMT-115E2T5	AS	036927	ARMT-115E2T8	AS	037006
1.5	240	1	65	2	6-1/8	8	ARMT-115E2T4	AS	036855	ARMT-115E2T5	AS	036935	ARMT-115E2T8	AS	037014
2	120	1	86	2	6-1/8	8	ARMT-120E2T4	AS	036863	ARMT-120E2T5	AS	036943	ARMT-120E2T8	AS	037022
2	240	1	86	2	6-1/8	8	ARMT-120E2T4	AS	036871	ARMT-120E2T5	AS	036951	ARMT-120E2T8	AS	037030

Stock Status: S = stock AS = assembly stock NS = non-stock
To Order—Specify model, volts, phase, kW, PCN and quantity.

1. Heaters with General Purpose Enclosures are UL Listed and CSA Certified.
2. Heaters with Moisture Resistant/Explosion Resistant Enclosures are CSA NRTL/C Certified.

FASTShip

Same-day shipping on stock item orders received before 4 pm CST.
 3-day shipping on assembly-stock items.

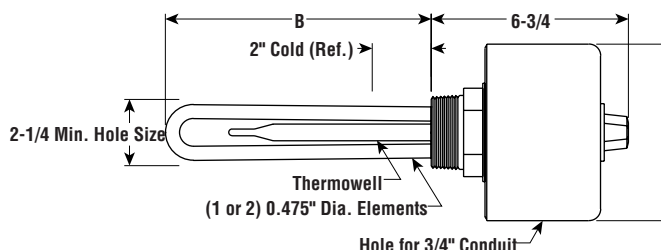
Immersion

ARMT-2 Clean Water Applications



- 2" NPT Brass Screw Plug
- Copper Sheath Elements
- High Watt Density (46 - 53 W/In²)
- 1.5 - 15 kW
- Integral Thermostat (DPST)
- 120, 208, 240 and 480 Volt, Single Phase
- General Purpose Terminal Enclosure

E1 — Dimensions (Inches)



SCREW PLUG



Same-day shipping on stock item orders received before 4 pm CST. 3-day shipping on assembly-stock items.

Specifications and Ordering Information

							T2 — Temperature (60 - 250°F)			T1 — Temperature (0 - 100°F)		
kW	Volts	Phase	W/In ²	No. Elem.	DIM B (In.)	Wt. (Lbs.)	Model	Stock	PCN	Model	Stock	PCN
E1 General Purpose												
1.5	120	1	48	1	12	5	ARMT-2155T2	AS	270035	ARMT-2155T1	AS	284760
1.5	208	1	48	1	12	5	ARMT-2155T2	NS	323264	ARMT-2155T1	AS	323272
1.5	240	1	48	1	12	5	ARMT-2155T2	S	270043	ARMT-2155T1	AS	284795
2	120	1	51	2	8	5	ARMT-2205-3T2	AS	270060	ARMT-2205-3T1	AS	284824
2	208	1	51	2	8	5	ARMT-2205-3T2	AS	323301	ARMT-2205-3T1	AS	323310
2	240	1	51	2	8	5	ARMT-2205-3T2	AS	270078	ARMT-2205-3T1	AS	284840
2	480	1	51	2	8	5	ARMT-2205-3T2	AS	284883	ARMT-2205-3T1	AS	284875
2.5	208	1	48	2	9-1/2	6	ARMT-2255T2	AS	323344	ARMT-2255T1	AS	323352
2.5	240	1	48	2	9-1/2	6	ARMT-2255T2	AS	270107	ARMT-2255T1	AS	284912
2.5	480	1	48	2	9-1/2	6	ARMT-2255T2	AS	284955	ARMT-2255T1	AS	284947
3	120	1	48	2	12	6	ARMT-2305T2	AS	270123	ARMT-2305T1	AS	284980
3	208	1	48	2	12	6	ARMT-2305T2	AS	323387	ARMT-2305T1	AS	323395
3	240	1	48	2	12	6	ARMT-2305T2	S	270131	ARMT-2305T1	AS	285000
3	480	1	48	2	12	6	ARMT-2305T2	AS	285034	ARMT-2305T1	AS	285026
4	208	1	48	2	18	7	ARMT-2405T2	AS	323424	ARMT-2405T1	AS	323432
4	240	1	48	2	18	7	ARMT-2405T2	S	270166	ARMT-2405T1	AS	285050
4	480	1	48	2	18	7	ARMT-2405T2	AS	285093	ARMT-2405T1	AS	285085
5	208	1	53	2	19-13/16	8	ARMT-2505T2	AS	323467	ARMT-2505T1	AS	323475
5	240	1	53	2	19-13/16	8	ARMT-2505T2	S	270190	ARMT-2505T1	AS	285122
5	480	1	53	2	19-13/16	8	ARMT-2505T2	S	274757	ARMT-2505T1	AS	285157
6	208	1	47	2	25-1/8	8	ARMT-2605T2	AS	323504	ARMT-2605T1	AS	323512
6	240	1	47	2	25-1/8	8	ARMT-2605T2	AS	270211	ARMT-2605T1	AS	285181
6	480	1	47	2	25-1/8	8	ARMT-2605T2	AS	285229	ARMT-2605T1	AS	285210
7	208	1	49	2	28	9	ARMT-2705T2	NS	323547	ARMT-2705T1	AS	323555
7	240	1	49	2	28	9	ARMT-2705T2	AS	270238	ARMT-2705T1	AS	285253
7	480	1	49	2	28	9	ARMT-2705T2	AS	285296	ARMT-2705T1	AS	285288
10	208	1	46	2	40-1/2	9	ARMT-2105T2	AS	323580	ARMT-2105T1	AS	323598
10	240	1	46	2	40-1/2	9	ARMT-2105T2	AS	270019	ARMT-2105T1	AS	284701
10	480	1	46	2	40-1/2	9	ARMT-2105T2	AS	274765	ARMT-2105T1	AS	284736
12	240	1	46	2	48	10	ARMT-2125T2 ¹	AS	310480	ARMT-2125T1 ¹	AS	310527
12	480	1	46	2	48	10	ARMT-2125T2	AS	310498	ARMT-2125T1	AS	310535
15	240	1	50	2	54	11	ARMT-21505T2 ¹	NS	310560	ARMT-21505T1 ¹	NS	310607
15	480	1	50	2	54	11	ARMT-21505T2	NS	310578	ARMT-21505T1	NS	310615

Stock Status: S = stock AS = assembly stock NS = non-stock
To Order—Specify model, volts, phase, kW, PCN and quantity.

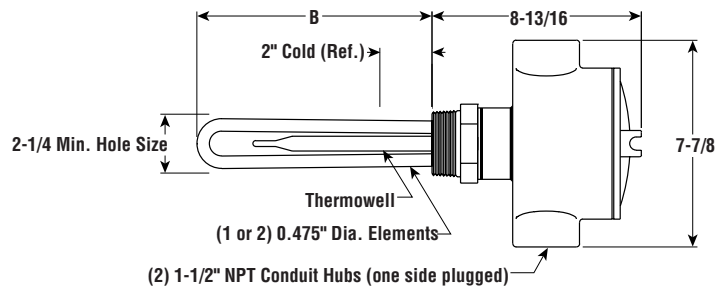
1. Not UL Listed or CSA Certified (Exceeds 48 Amps).

ARMT-2 Clean Water Applications *(cont'd.)*



- 2" NPT Brass Screw Plug
- Copper Sheath Elements
- High Watt Density (46 - 53 W/In²)
- 1.5 - 15 kW
- Integral Thermostat (DPST)
- 120, 208, 240 and 480 Volt, Single Phase
- Moisture Resistant/Explosion Resistant Terminal Enclosure

E2 — Dimensions (Inches)



Same-day shipping on stock item orders received before 4 pm CST.
3-day shipping on assembly-stock items.

Specifications and Ordering Information

							T2 — Temperature (60 - 250°F)			T1 — Temperature (0 - 100°F)		
kW	Volts	Phase	W/In ²	No. Elem.	DIM B (In.)	Wt. (Lbs.)	Model	Stock	PCN	Model	Stock	PCN
E2 Moisture Resistant/Explosion Resistant												
1.5	120	1	48	1	12	10	ARMT-2155E2T2	AS	284787	ARMT-2155E2T1	AS	284779
1.5	208	1	48	1	12	10	ARMT-2155E2T2	AS	323280	ARMT-2155E2T1	AS	323299
1.5	240	1	48	1	12	10	ARMT-2155E2T2	AS	284816	ARMT-2155E2T1	AS	284808
2	120	1	51	2	8	10	ARMT-2205-3E2T2	AS	284832	ARMT-2205-3E2T1	AS	274773
2	208	1	51	2	8	10	ARMT-2205-3E2T2	AS	323328	ARMT-2205-3E2T1	AS	323336
2	240	1	51	2	8	10	ARMT-2205-3E2T2	AS	284867	ARMT-2205-3E2T1	AS	284859
2	480	1	51	2	8	10	ARMT-2205-3E2T2	AS	284904	ARMT-2205-3E2T1	AS	284891
2.5	208	1	48	2	9-1/2	12	ARMT-2255E2T2	AS	323360	ARMT-2255E2T1	AS	323379
2.5	240	1	48	2	9-1/2	12	ARMT-2255E2T2	AS	284939	ARMT-2255E2T1	AS	284920
2.5	480	1	48	2	9-1/2	12	ARMT-2255E2T2	AS	284971	ARMT-2255E2T1	AS	284963
3	120	1	48	2	12	12	ARMT-2305E2T2	AS	285018	ARMT-2305E2T1	AS	284998
3	208	1	48	2	12	12	ARMT-2305E2T2	AS	323408	ARMT-2305E2T1	AS	323416
3	240	1	48	2	12	12	ARMT-2305E2T2	AS	274781	ARMT-2305E2T1	AS	274802
3	480	1	48	2	12	12	ARMT-2305E2T2	AS	274790	ARMT-2305E2T1	AS	285042
4	208	1	48	2	18	13	ARMT-2405E2T2	AS	323440	ARMT-2405E2T1	AS	323459
4	240	1	48	2	18	13	ARMT-2405E2T2	AS	285077	ARMT-2405E2T1	AS	285069
4	480	1	48	2	18	13	ARMT-2405E2T2	AS	285114	ARMT-2405E2T1	AS	285106
5	208	1	53	2	19-13/16	14	ARMT-2505E2T2	AS	323483	ARMT-2505E2T1	AS	323491
5	240	1	53	2	19-13/16	14	ARMT-2505E2T2	AS	285149	ARMT-2505E2T1	AS	285130
5	480	1	53	2	19-13/16	14	ARMT-2505E2T2	AS	285173	ARMT-2505E2T1	AS	285165
6	208	1	47	2	25-1/8	14	ARMT-2605E2T2	AS	323520	ARMT-2605E2T1	AS	323539
6	240	1	47	2	25-1/8	14	ARMT-2605E2T2	AS	285202	ARMT-2605E2T1	AS	285190
6	480	1	47	2	25-1/8	14	ARMT-2605E2T2	AS	285245	ARMT-2605E2T1	AS	285237
7	208	1	49	2	28	15	ARMT-2705E2T2	AS	323563	ARMT-2705E2T1	AS	323571
7	240	1	49	2	28	15	ARMT-2705E2T2	AS	285270	ARMT-2705E2T1	AS	285261
7	480	1	49	2	28	15	ARMT-2705E2T2	AS	285309	ARMT-2705E2T1	AS	285317
10	208	1	46	2	40-1/2	16	ARMT-2105E2T2	AS	323600	ARMT-2105E2T1	NS	323619
10	240	1	46	2	40-1/2	16	ARMT-2105E2T2	AS	284728	ARMT-2105E2T1	AS	284710
10	480	1	46	2	40-1/2	16	ARMT-2105E2T2	AS	284752	ARMT-2105E2T1	AS	284744
12	240	1	46	2	48	17	ARMT-2125E2T2 ¹	AS	310500	ARMT-2125E2T1 ¹	AS	310543
12	480	1	46	2	48	17	ARMT-2125E2T2	AS	310519	ARMT-2125E2T1	AS	310551
15	240	1	50	2	54	18	ARMT-21505E2T2 ¹	NS	310586	ARMT-21505E2T1 ¹	NS	310623
15	480	1	50	2	54	18	ARMT-21505E2T2	NS	310594	ARMT-21505E2T1	NS	310631

Stock Status: S = stock AS = assembly stock NS = non-stock
To Order—Specify model, volts, phase, kW, PCN and quantity.

1. Not CSA NRTL/C Certified (Exceeds 48 Amps).

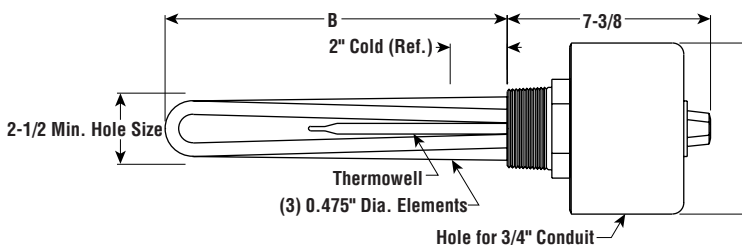
Immersion

ARMT-3 Clean Water Applications



- 2-1/2" NPT Brass Screw Plug
- Copper Sheath Elements
- High Watt Density (46 - 53 W/In²)
- 3 - 18 kW
- Integral Thermostat (DPST)
- 120, 208, 240 and 480 Volt, 1 and 3 Phase
- General Purpose Terminal Enclosure

E1 — Dimensions (Inches)



SCREW PLUG



Same-day shipping on stock item orders received before 4 pm CST.
3-day shipping on assembly-stock items.

Specifications and Ordering Information

							T2 — Temperature (60 - 250°F)			T1 — Temperature (0 - 100°F)		
kW	Volts	Phase	W/In ²	No. Elem.	DIM B (In.)	Wt. (Lbs.)	Model	Stock	PCN	Model	Stock	PCN
E1 General Purpose												
3	120	1	51	3	7-3/8	6	ARMT-3305T2	AS	190852	ARMT-3305T1	AS	310957
3	208	1	51	3	7-3/8	6	ARMT-3305T2	AS	320733	ARMT-3305T1	AS	320741
3	208	3	51	3	7-3/8	6	ARMT-3305T2	AS	320776	ARMT-3305T1	AS	320784
3	240	1	51	3	7-3/8	6	ARMT-3305T2	AS	285819	ARMT-3305T1	AS	285800
3	240	3	51	3	7-3/8	6	ARMT-3305T2	AS	274810	ARMT-3305T1	AS	285843
3	480	1	51	3	7-3/8	6	ARMT-3305T2	AS	270297	ARMT-3305T1	AS	310981
3	480	3	51	3	7-3/8	6	ARMT-3305T2	AS	270300	ARMT-3305T1	AS	310990
3.75	120	1	52	3	8-7/8	6	ARMT-3375T2	AS	190895	ARMT-3375T1	AS	311044
3.75	208	1	52	3	8-7/8	6	ARMT-3375T2	AS	320813	ARMT-3375T1	AS	320821
3.75	208	3	52	3	8-7/8	6	ARMT-3375T2	AS	320856	ARMT-3375T1	AS	320864
3.75	240	1	52	3	8-7/8	6	ARMT-3375T2	AS	285886	ARMT-3375T1	AS	285878
3.75	240	3	52	3	8-7/8	6	ARMT-3375T2	AS	285923	ARMT-3375T1	AS	285915
3.75	480	1	52	3	8-7/8	6	ARMT-3375T2	AS	270350	ARMT-3375T1	AS	311052
3.75	480	3	52	3	8-7/8	6	ARMT-3375T2	AS	274829	ARMT-3375T1	AS	311060
4.5	120	1	48	3	11-3/8	7	ARMT-3455T2	AS	270377	ARMT-3455T1	AS	311132
4.5	208	1	48	3	11-3/8	7	ARMT-3455T2	AS	320899	ARMT-3455T1	AS	320901
4.5	208	3	48	3	11-3/8	7	ARMT-3455T2	AS	320936	ARMT-3455T1	AS	320944
4.5	240	1	48	3	11-3/8	7	ARMT-3455T2	AS	285966	ARMT-3455T1	AS	285958
4.5	240	3	48	3	11-3/8	7	ARMT-3455T2	AS	274837	ARMT-3455T1	AS	285990
4.5	480	1	48	3	11-3/8	7	ARMT-3455T2	AS	286037	ARMT-3455T1	AS	286029
4.5	480	3	48	3	11-3/8	7	ARMT-3455T2	AS	274845	ARMT-3455T1	AS	286061
6	120	1	48	3	17-3/8	8	ARMT-3605T2	AS	270430	ARMT-3605T1	AS	311167
6	208	1	48	3	17-3/8	8	ARMT-3605T2	AS	320979	ARMT-3605T1	AS	320987
6	208	3	48	3	17-3/8	8	ARMT-3605T2	AS	321015	ARMT-3605T1	AS	321023
6	240	1	48	3	17-3/8	8	ARMT-3605T2	AS	286109	ARMT-3605T1	AS	286096
6	240	3	48	3	17-3/8	8	ARMT-3605T2	AS	274853	ARMT-3605T1	AS	286133
6	480	1	48	3	17-3/8	8	ARMT-3605T2	AS	286176	ARMT-3605T1	AS	286168
6	480	3	48	3	17-3/8	8	ARMT-3605T2	S	286213	ARMT-3605T1	AS	286205
7.5	208	1	53	3	19-1/8	8	ARMT-3755T2	AS	321058	ARMT-3755T1	AS	321066
7.5	208	3	53	3	19-1/8	8	ARMT-3755T2	AS	321090	ARMT-3755T1	AS	321103
7.5	240	1	53	3	19-1/8	8	ARMT-3755T2	AS	274861	ARMT-3755T1	AS	286230
7.5	240	3	53	3	19-1/8	8	ARMT-3755T2	AS	286272	ARMT-3755T1	AS	286264
7.5	480	1	53	3	19-1/8	8	ARMT-3755T2	AS	286310	ARMT-3755T1	AS	286301
7.5	480	3	53	3	19-1/8	8	ARMT-3755T2	AS	286352	ARMT-3755T1	AS	286344
9	208	1	47	3	24-1/2	9	ARMT-3905T2	AS	321138	ARMT-3905T1	AS	321146
9	208	3	47	3	24-1/2	9	ARMT-3905T2	AS	321170	ARMT-3905T1	AS	321189
9	240	1	47	3	24-1/2	9	ARMT-3905T2	AS	286395	ARMT-3905T1	AS	286387
9	240	3	47	3	24-1/2	9	ARMT-3905T2	AS	274870	ARMT-3905T1	AS	286424
9	480	1	47	3	24-1/2	9	ARMT-3905T2	AS	286467	ARMT-3905T1	AS	286459
9	480	3	47	3	24-1/2	9	ARMT-3905T2	AS	274888	ARMT-3905T1	AS	285491

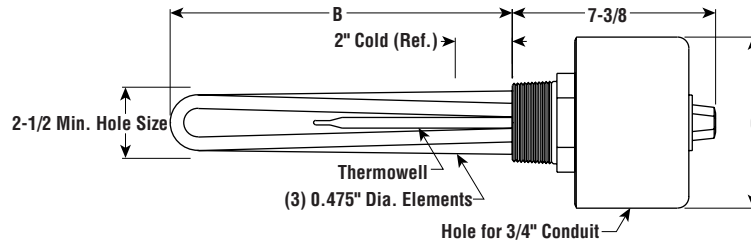
Immersion

ARMT-3 Clean Water Applications *(cont'd.)*



- 2-1/2" NPT Brass Screw Plug
- Copper Sheath Elements
- High Watt Density (46 - 53 W/In²)
- 3 - 18 kW
- Integral Thermostat (DPST)
- 120, 208, 240 and 480 Volt, 1 and 3 Phase
- General Purpose Terminal Enclosure

E1 — Dimensions (Inches)



FASTShip

Same-day shipping on stock item orders received before 4 pm CST.
3-day shipping on assembly-stock items.

Specifications and Ordering Information

							T2 — Temperature (60 - 250°F)			T1 — Temperature (0 - 100°F)		
kW	Volts	Phase	W/In ²	No. Elem.	DIM B (In.)	Wt. (Lbs.)	Model	Stock	PCN	Model	Stock	PCN
E1 General Purpose												
12	208	1	46	3	32-5/16	13	ARMT-31205T2 ¹	AS	321218	ARMT-31205T1 ¹	AS	321226
12	208	3	46	3	32-5/16	13	ARMT-31205T2	AS	321250	ARMT-31205T1	AS	321269
12	240	1	46	3	32-5/16	13	ARMT-31205T2 ¹	AS	321293	ARMT-31205T1 ¹	AS	321306
12	240	3	46	3	32-5/16	13	ARMT-31205T2	AS	321330	ARMT-31205T1	AS	321349
12	480	1	46	3	32-5/16	13	ARMT-31205T2	AS	321373	ARMT-31205T1	AS	321381
12	480	3	46	3	32-5/16	13	ARMT-31205T2	AS	321410	ARMT-31205T1	AS	321429
15	208	1	46	3	39-3/4	14	ARMT-31505T2 ¹	AS	321453	ARMT-31505T1 ¹	AS	321461
15	208	3	46	3	39-3/4	14	ARMT-31505T2	AS	321496	ARMT-31505T1	AS	321509
15	240	1	46	3	39-3/4	14	ARMT-31505T2 ¹	AS	321533	ARMT-31505T1 ¹	AS	321541
15	240	3	46	3	39-3/4	14	ARMT-31505T2	AS	321576	ARMT-31505T1	AS	321584
15	480	1	46	3	39-3/4	14	ARMT-31505T2	AS	321613	ARMT-31505T1	AS	321621
15	480	3	46	3	39-3/4	14	ARMT-31505T2	AS	321656	ARMT-31505T1	AS	321664
18	208	3	46	3	47-1/4	15	ARMT-31805T2 ¹	AS	321699	ARMT-31805T1 ¹	AS	321701
18	240	1	46	3	47-1/4	15	ARMT-31805T2 ¹	AS	321736	ARMT-31805T1 ¹	AS	321744
18	240	3	46	3	47-1/4	15	ARMT-31805T2	AS	321779	ARMT-31805T1	AS	321787
18	480	1	46	3	47-1/4	15	ARMT-31805T2	AS	321816	ARMT-31805T1	AS	321824
18	480	3	46	3	47-1/4	15	ARMT-31805T2	AS	321859	ARMT-31805T1	AS	321867

Stock Status: S = stock AS = assembly stock NS = non-stock
To Order—Specify model, volts, phase, kW, PCN and quantity.

1. Not UL Listed or CSA Certified (Exceeds 48 Amps).

Immersion

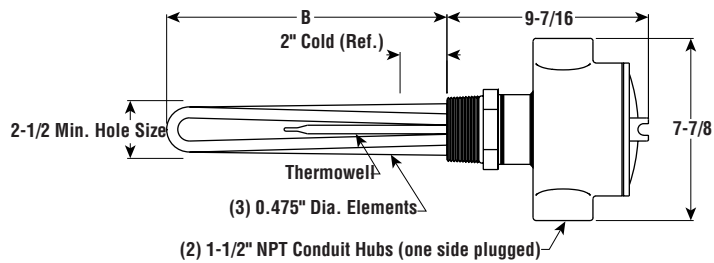


ARMT-3 Clean Water Applications (cont'd.)



- 2-1/2" NPT Brass Screw Plug
- Copper Sheath Elements
- High Watt Density (46 - 53 W/In²)
- 3 - 18 kW
- Integral Thermostat (DPST)
- 120, 208, 240 and 480 Volt, 1 and 3 Phase
- Moisture Resistant/Explosion Resistant Terminal Enclosure

E2 — Dimensions (Inches)



SCREW PLUG



Same-day shipping on stock item orders received before 4 pm CST. 3-day shipping on assembly-stock items.

Specifications and Ordering Information

							T2 — Temperature (60 - 250°F)			T1 — Temperature (0 - 100°F)		
kW	Volts	Phase	W/In ²	No. Elem.	DIMB (In.)	Wt. (Lbs.)	Model	Stock	PCN	Model	Stock	PCN
E2 Moisture Resistant/Explosion Resistant												
3	120	1	51	3	7-3/8	11	ARMT-3305E2T2	AS	310965	ARMT-3305E2T1	AS	310973
3	208	1	51	3	7-3/8	11	ARMT-3305E2T2	AS	320750	ARMT-3305E2T1	AS	320768
3	208	3	51	3	7-3/8	11	ARMT-3305E2T2	AS	320792	ARMT-3305E2T1	AS	320805
3	240	1	51	3	7-3/8	11	ARMT-3305E2T2	AS	285835	ARMT-3305E2T1	AS	285827
3	240	3	51	3	7-3/8	11	ARMT-3305E2T2	AS	285860	ARMT-3305E2T1	AS	285851
3	480	1	51	3	7-3/8	11	ARMT-3305E2T2	AS	311001	ARMT-3305E2T1	AS	311028
3	480	3	51	3	7-3/8	11	ARMT-3305E2T2	AS	311010	ARMT-3305E2T1	AS	311036
3.75	120	1	52	3	8-7/8	11	ARMT-3375E2T2	AS	311079	ARMT-3375E2T1	AS	311108
3.75	208	1	52	3	8-7/8	11	ARMT-3375E2T2	AS	320830	ARMT-3375E2T1	AS	320848
3.75	208	3	52	3	8-7/8	11	ARMT-3375E2T2	AS	320872	ARMT-3375E2T1	AS	320880
3.75	240	1	52	3	8-7/8	11	ARMT-3375E2T2	AS	285907	ARMT-3375E2T1	AS	285894
3.75	240	3	52	3	8-7/8	11	ARMT-3375E2T2	AS	285940	ARMT-3375E2T1	AS	285931
3.75	480	1	52	3	8-7/8	11	ARMT-3375E2T2	NS	311087	ARMT-3375E2T1	NS	311116
3.75	480	3	52	3	8-7/8	11	ARMT-3375E2T2	AS	311095	ARMT-3375E2T1	AS	311124
4.5	120	1	48	3	11-3/8	12	ARMT-3455E2T2	AS	311140	ARMT-3455E2T1	AS	311159
4.5	208	1	48	3	11-3/8	12	ARMT-3455E2T2	AS	320910	ARMT-3455E2T1	AS	320928
4.5	208	3	48	3	11-3/8	12	ARMT-3455E2T2	AS	320952	ARMT-3455E2T1	AS	320960
4.5	240	1	48	3	11-3/8	12	ARMT-3455E2T2	AS	285982	ARMT-3455E2T1	AS	285974
4.5	240	3	48	3	11-3/8	12	ARMT-3455E2T2	AS	286010	ARMT-3455E2T1	AS	286002
4.5	480	1	48	3	11-3/8	12	ARMT-3455E2T2	AS	286053	ARMT-3455E2T1	AS	286045
4.5	480	3	48	3	11-3/8	12	ARMT-3455E2T2	AS	286088	ARMT-3455E2T1	AS	286070
6	120	1	48	3	17-3/8	13	ARMT-3605E2T2	AS	311175	ARMT-3605E2T1	AS	311183
6	208	1	48	3	17-3/8	13	ARMT-3605E2T2	AS	320995	ARMT-3605E2T1	AS	321007
6	208	3	48	3	17-3/8	13	ARMT-3605E2T2	AS	321031	ARMT-3605E2T1	AS	321040
6	240	1	48	3	17-3/8	13	ARMT-3605E2T2	AS	286125	ARMT-3605E2T1	AS	286117
6	240	3	48	3	17-3/8	13	ARMT-3605E2T2	AS	286150	ARMT-3605E2T1	AS	286141
6	480	1	48	3	17-3/8	13	ARMT-3605E2T2	AS	286192	ARMT-3605E2T1	AS	286184
6	480	3	48	3	17-3/8	13	ARMT-3605E2T2	AS	286221	ARMT-3605E2T1	AS	274896
7.5	208	1	53	3	19-1/8	13	ARMT-3755E2T2	AS	321074	ARMT-3755E2T1	AS	321082
7.5	208	3	53	3	19-1/8	13	ARMT-3755E2T2	AS	321111	ARMT-3755E2T1	AS	321120
7.5	240	1	53	3	19-1/8	13	ARMT-3755E2T2	AS	286256	ARMT-3755E2T1	AS	286248
7.5	240	3	53	3	19-1/8	13	ARMT-3755E2T2	AS	286299	ARMT-3755E2T1	AS	286280
7.5	480	1	53	3	19-1/8	13	ARMT-3755E2T2	AS	286336	ARMT-3755E2T1	AS	286328
7.5	480	3	53	3	19-1/8	13	ARMT-3755E2T2	AS	286379	ARMT-3755E2T1	AS	286360
9	208	1	47	3	24-1/2	14	ARMT-3905E2T2	AS	321154	ARMT-3905E2T1	AS	321162
9	208	3	47	3	24-1/2	14	ARMT-3905E2T2	AS	321197	ARMT-3905E2T1	AS	321200
9	240	1	47	3	24-1/2	14	ARMT-3905E2T2	AS	286416	ARMT-3905E2T1	AS	286408
9	240	3	47	3	24-1/2	14	ARMT-3905E2T2	AS	286440	ARMT-3905E2T1	AS	286432
9	480	1	47	3	24-1/2	14	ARMT-3905E2T2	AS	286483	ARMT-3905E2T1	AS	286475
9	480	3	47	3	24-1/2	14	ARMT-3905E2T2	AS	286512	ARMT-3905E2T1	AS	286504

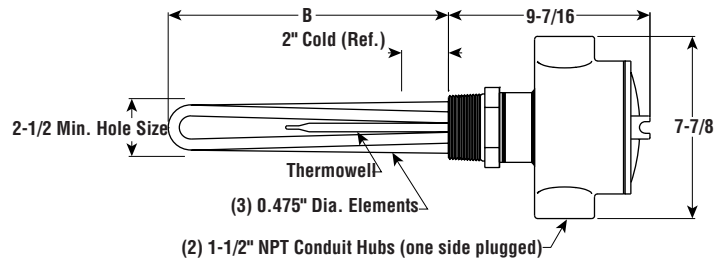
Immersion

ARMT-3 Clean Water Applications (cont'd.)



- 2-1/2" NPT Brass Screw Plug
- Copper Sheath Elements
- High Watt Density (46 - 53 W/In²)
- 3 - 18 kW
- Integral Thermostat (DPST)
- 120, 208, 240 and 480 Volt,
1 and 3 Phase
- Moisture Resistant/Explosion
Resistant Terminal Enclosure

E2 — Dimensions (Inches)



Same-day shipping on stock item
orders received before 4 pm CST.
3-day shipping on assembly-stock items.

Specifications and Ordering Information

							T2 — Temperature (60 - 250°F)			T1 — Temperature (0 - 100°F)		
kW	Volts	Phase	W/In ²	No. Elem.	DIM B (In.)	Wt. (Lbs.)	Model	Stock	PCN	Model	Stock	PCN
E2 Moisture Resistant/Explosion Resistant												
12	208	1	46	3	32-5/16	18	ARMT-31205E2T2 ¹	AS	321234	ARMT-31205E2T1 ¹	AS	321242
12	208	3	46	3	32-5/16	18	ARMT-31205E2T2	AS	321277	ARMT-31205E2T1	AS	321285
12	240	1	46	3	32-5/16	18	ARMT-31205E2T2¹	S	321314	ARMT-31205E2T1 ¹	AS	321322
12	240	3	46	3	32-5/16	18	ARMT-31205E2T2	AS	321357	ARMT-31205E2T1	AS	321365
12	480	1	46	3	32-5/16	18	ARMT-31205E2T2	AS	321390	ARMT-31205E2T1	AS	321402
12	480	3	46	3	32-5/16	18	ARMT-31205E2T2	AS	321437	ARMT-31205E2T1	AS	321445
15	208	1	46	3	39-3/4	19	ARMT-31505E2T2 ¹	AS	321470	ARMT-31505E2T1 ¹	AS	321488
15	208	3	46	3	39-3/4	19	ARMT-31505E2T2	AS	321517	ARMT-31505E2T1	AS	321525
15	240	1	46	3	39-3/4	19	ARMT-31505E2T2 ¹	AS	321550	ARMT-31505E2T1 ¹	AS	321568
15	240	3	46	3	39-3/4	19	ARMT-31505E2T2	AS	321592	ARMT-31505E2T1	AS	321605
15	480	1	46	3	39-3/4	19	ARMT-31505E2T2	AS	321630	ARMT-31505E2T1	AS	321648
15	480	3	46	3	39-3/4	19	ARMT-31505E2T2	AS	321672	ARMT-31505E2T1	AS	321680
18	208	1	46	3	47-1/4	20	ARMT-31805E2T2 ¹	AS	311212	ARMT-31805E2T1 ¹	AS	311220
18	208	3	46	3	47-1/4	20	ARMT-31805E2T2 ¹	AS	321710	ARMT-31805E2T1 ¹	AS	321728
18	240	1	46	3	47-1/4	20	ARMT-31805E2T2 ¹	AS	321752	ARMT-31805E2T1 ¹	AS	321760
18	240	3	46	3	47-1/4	20	ARMT-31805E2T2	AS	321795	ARMT-31805E2T1	AS	321808
18	480	1	46	3	47-1/4	20	ARMT-31805E2T2	AS	321832	ARMT-31805E2T1	AS	321840
18	480	3	46	3	47-1/4	20	ARMT-31805E2T2	AS	321875	ARMT-31805E2T1	AS	321883

Stock Status: S = stock AS = assembly stock NS = non-stock
To Order—Specify model, volts, phase, kW, PCN and quantity.

1. Not CSA NRTL/C Certified (Exceeds 48 Amps).