



## MT Series Hand Held Noncontact Thermometer

- Simple to Use
- Instant Readings
- Laser Point™
- Large, Easy to Read Display
- Temperature Range 0-525°F
- °C or °F Selectable
- 1-Year Warranty
- 8:1 Distance to Spot Diameter Ratio



### Description

Infrared (IR) thermometers have become the preferred tool for diagnostics and inspection. IR thermometers are valued by professionals in a variety of industries – from industrial maintenance to food service, because they quickly, accurately and safely measure surface temperature. Anywhere that temperature is a factor in process, product quality or diagnostics, an IR thermometer should be close at hand.

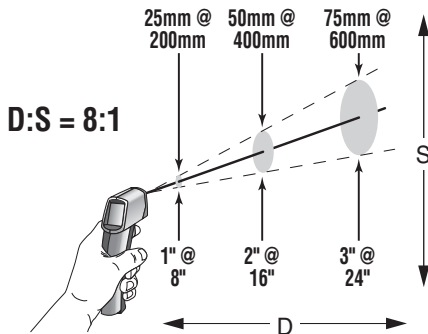
IR thermometers are easy to use, and since they don't contact the object being measured,

they are the safest way to measure hot, hard-to-reach, or moving parts, while eliminating potential damage and contamination.

MiniTemp MT4 are entry-level IR thermometers that incorporate many of the same features found in professional IR thermometers.

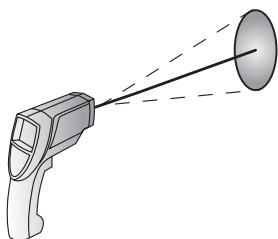
Just pull the trigger! The MiniTemp MT4 shows the temperature in an instant on its large, backlit display, and is simple to operate when aiming the LaserPoint™ (MT4).

### Optical Resolution



The MiniTemp is intended for close range targets, measuring a minimum target area of 1 inch in diameter out to a distance of approximately 8 inches, and has a 6 inch target measurement area at 4 feet.

### Laser Sighting



LaserPoint™ Single-point laser indicates the approximate center of the target spot.

### Specifications

Temperature Range	-18 to 275°C (0 to 525°F)
Accuracy	-1°C (30°F) to 260°C (500°F) ±2% or ±2°C (±3.5°F) whichever is greater; -18°C (0°F) -1°C (30°F) ±3°C (±5°F)
Repeatability	±2% of reading, or ±2°C (±3°F) whichever is greater
Response Time	500 mSec, 95% response
Spectral Response	7-18 μm
Emissivity*	pre-set 0.95
Ambient Operating Range	0 to 50°C (32 to 120°F)
Relative Humidity	10-95% RH noncondensing, @ up to 30°C (86°F)
Storage Temperature	-20°C to 65°C (-4 to 150°F) without battery
Weight/Dimensions	227g (0.5 lb); 152 x 101 x 38 mm (6 x 4 x 1.5 in)
Power	9V Alkaline or NiCd Battery (included)
Battery Life (Alkaline)	12 hours
Distance to Spot Size	6:1
Laser Class II	Yes
Typical Distance to Target (Spot)	Up to 1m or 3ft
Distance to Spot (D:S)	6:1
Warranty	1 year
Additional Options/Accessories	Nylon Holster

\*For more information on emissivity for unique applications, visit [www.chromalox.com/emissivity.htm](http://www.chromalox.com/emissivity.htm)

### Ordering Information:

Model	Description	Range	PCN	Stock
MT4U	Laser Sighting Hand held, Optics 6:1	0 to 525°F	338028	ST