

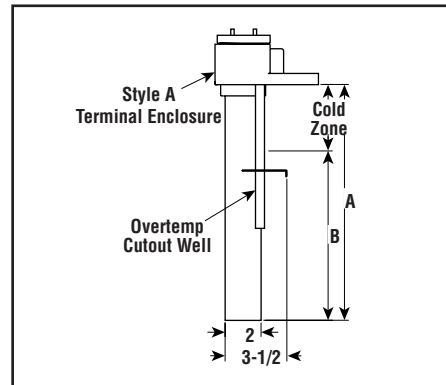
# Immersion

## GS & GT Side Mount Metal Tube Heaters

- 316 Stainless Steel and Titanium Sheath Tubes
- 20 and 40 W/In<sup>2</sup>
- 1 - 12 kW
- 120, 240 and 480 Volt, Single Phase
- Moisture Resistant Terminal Enclosure



Dimensions (Inches)



OVER-THE-SIDE

### Features

- Moisture Resistant Terminal Enclosure
- Side Mounted Construction with Mounting Flange
- Single Use Overtemperature Protection Thermal Fuse Supplied as Standard, for Process Temperatures up to 180°F (82°C)/ Fuse Temperature 219°F (104°C) Limit. For Higher

Process/Fuse Temperature Limits, Consult Factory. Field Replaceable

- Resettable Overtemperature Protection Thermal Fuses also Available
- Steel, 304SS and Other Sheath Materials and Configurations available

### Specifications and Ordering Information

kW	Volts	W/In <sup>2</sup>	Phase <sup>1</sup>	Dimensions (In.)		316SS			Titanium			Wt. (Lbs.)
				A	B	Model	PCN	Stock	Model	PCN	Stock	
<b>GS and GT — 40 W/In<sup>2</sup></b>												
1	120	40	1	11	6	GS-11	050016	S	GT-11	050331	NS	6
1	240	40	1	11	6	GS-12	050024	NS	GT-12	050340	NS	6
2	240	40	1	17	10	GS-22	050032	S	GT-22	050358	NS	9
2	480	40	1	17	10	GS-24	050040	NS	GT-24	050366	NS	9
3	240	40	1	23	16	GS-32	050059	NS	GT-32	050374	NS	11
3	480	40	1	23	16	GS-34	050067	NS	GT-34	050382	NS	11
4	240	40	1	29	20	GS-42	050075	NS	GT-42	050390	NS	13
4	480	40	1	29	20	GS-44	050083	NS	GT-44	050403	NS	13
5	240	40	1	35	25	GS-52	050091	NS	GT-52	050411	NS	16
5	480	40	1	35	25	GS-54	050104	NS	GT-54	050420	NS	16
6	240	40	1	40	30	GS-62	050112	S	GT-62	050438	NS	18
6	480	40	1	40	30	GS-64	050120	S	GT-64	050446	NS	18
8	240	40	1	47	37	GS-82	050139	NS	GT-82	050454	NS	21
8	480	40	1	47	37	GS-84	050147	NS	GT-84	050462	NS	21
9	240	40	1	54	44	GS-92	050155	NS	GT-92	050470	NS	23
9	480	40	1	54	44	GS-94	050163	NS	GT-94	050489	NS	23
10	240	40	1	59	49	GS-102	050171	NS	GT-102	050497	NS	25
10	480	40	1	59	49	GS-104	050180	NS	GT-104	050500	NS	25
12	240	40	1	68	58	GS-122	050198	NS	GT-122	050518	NS	29
12	480	40	1	68	58	GS-124	050200	NS	GT-124	050526	NS	29
<b>GDS and GDT — 20 W/In<sup>2</sup></b>												
1	240	20	1	17	10	GDS-12	050219	NS	GDT-12	050534	NS	9
1	480	20	1	17	10	GDS-14	050227	NS	GDT-14	050542	NS	9
2	240	20	1	29	20	GDS-22	050235	NS	GDT-22	050550	NS	13
2	480	20	1	29	20	GDS-24	050243	NS	GDT-24	050569	NS	13
3	240	20	1	40	30	GDS-32	050251	NS	GDT-32	050577	NS	17
3	480	20	1	40	30	GDS-34	050260	NS	GDT-34	050585	NS	17
4	240	20	1	47	37	GDS-42	050278	NS	GDT-42	050593	NS	21
4	480	20	1	47	37	GDS-44	050286	NS	GDT-44	050606	NS	21
5	240	20	1	59	49	GDS-52	050294	NS	GDT-52	050614	NS	25
5	480	20	1	59	49	GDS-54	050307	NS	GDT-54	050622	NS	25
6	240	20	1	68	58	GDS-62	050315	NS	GDT-62	050630	NS	29
6	480	20	1	68	58	GDS-64	050323	NS	GDT-64	050649	NS	29

Stock Status: S = stock AS = assembly stock NS = non-stock  
To Order—Specify model, PCN, kW, volts, phase and quantity.