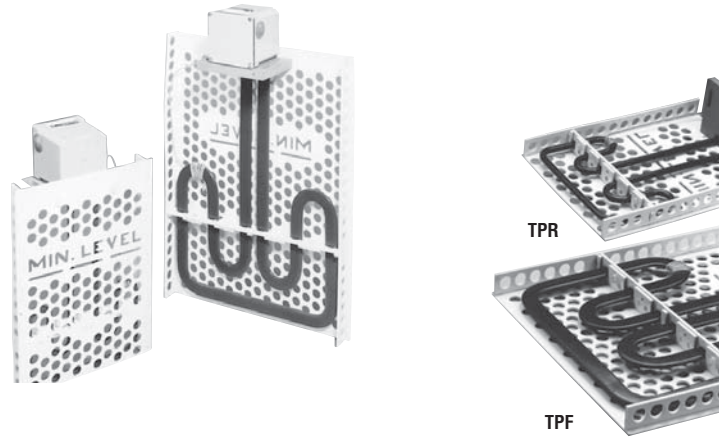


## TPR & TPF

### Side Mount Fluoropolymer Coated Metal Thin Blade Heaters



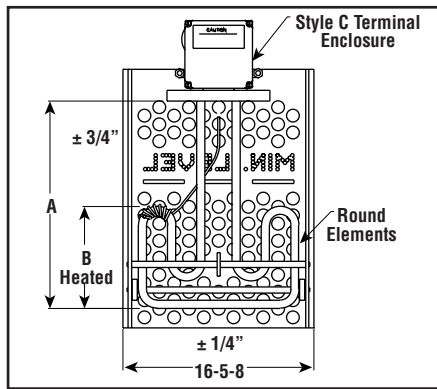
#### TPR — Round Cross Section Elements

- Fluoropolymer Coated Stainless Steel Elements
- 20 W/In<sup>2</sup>
- 1 - 8 kW
- 120, 240 and 480 Volt, Single Phase
- Moisture Resistant Terminal Enclosure

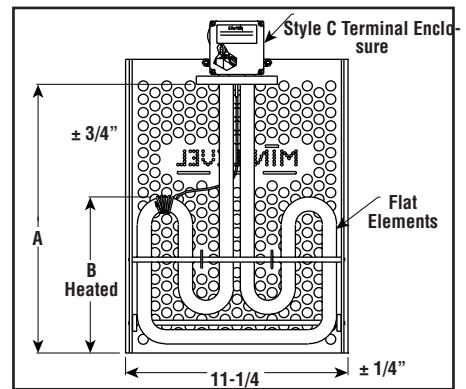
#### TPF — Flat Elements

- Fluoropolymer Coated Stainless Steel Thinblade Elements
- 20 W/In<sup>2</sup>
- 3 - 10 kW
- 240 and 480 Volt, Three Phase
- Moisture Resistant Terminal Enclosure

*TPR — Dimensions (Inches)*



*TPF — Dimensions (Inches)*



#### Specifications and Ordering Information

kW	Volts	W/In <sup>2</sup>	Phase	Dimensions (In.)		Fluoropolymer			Wt. (Lbs.)
				A	B	Model	Stock	PCN	
<b>TPR — Round Cross Section Elements</b>									
1	120	20	1	13	6	<b>TPR-101</b>	<b>S</b>	<b>097287</b>	4
1	240	20	1	13	6	TPR-102	NS	097295	4
2	240	20	1	21	12	<b>TPR-202</b>	<b>S</b>	<b>097308</b>	5
2	480	20	1	21	12	TPR-204	NS	097316	5
3	240	20	1	26	17	<b>TPR-302</b>	<b>S</b>	<b>097324</b>	6
3	480	20	1	26	17	TPR-304	NS	097332	6
4	240	20	1	31	22	<b>TPR-402</b>	<b>S</b>	<b>097340</b>	7
4	480	20	1	31	22	TPR-404	S	097359	7
6	240	20	1	42	33	<b>TPR-602</b>	<b>S</b>	<b>097367</b>	10
6	480	20	1	42	33	TPR-604	NS	097375	10
8	240	20	1	53	44	TPR-802	NS	097383	12
8	480	20	1	53	44	TPR-804	NS	097391	12
<b>TPF — Flat Elements</b>									
3	240	20	3	20	11	<b>TPF-302</b>	<b>S</b>	<b>097439</b>	8
3	480	20	3	20	11	TPF-304	S	097447	8
4	240	20	3	23	14	TPF-402	NS	097455	9
4	480	20	3	23	14	TPF-404	S	097463	9
6	240	20	3	30	21	<b>TPF-602</b>	<b>S</b>	<b>097471</b>	11
6	480	20	3	30	21	TPF-604	S	097480	11
8	240	20	3	37	28	<b>TPF-802</b>	<b>S</b>	<b>097498</b>	12
8	480	20	3	37	28	TPF-804	S	097500	12
10	240	20	3	44	35	<b>TPF-1002</b>	<b>S</b>	<b>097535</b>	14
10	480	20	3	44	35	TPF-1004	S	097543	14

**Stock Status:** S = stock AS = assembly stock NS = non-stock  
**To Order**—Specify model, PCN, kW, volts, phase and quantity.

**Note:** 480 Volt units not UL Listed or CSA Certified

#### Features

- Moisture Resistant Terminal Enclosure
- Standard Polypropylene Guard
- Side Mounted Construction with PVC Mounting Flange
- Overtemperature Protection Integral Manual Reset Cutout (240°F)
- Low Profile, Light Weight