

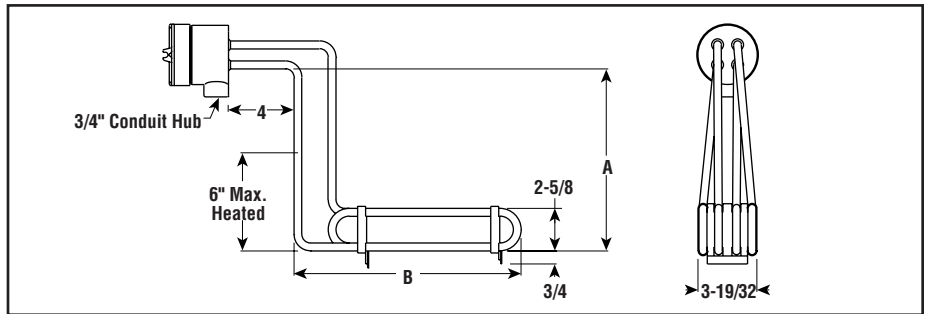
## TBL & TBL-A Salt Bath Heaters

- Steel and INCOLOY® Sheath Elements
- 20 W/In<sup>2</sup>
- 3, 4.5, 6 and 7.5 kW
- 240 and 480 Volt, Single Phase



OVER-THE-SIDE

### Dimensions (Inches)



### Features

- Cast Iron Moisture Resistant Terminal Enclosure
- Bottom Mounted L-Shaped Construction
- Sludge Legs, order separately (factory installed)

### Applications

- Primarily for use in Salt Baths

### Specifications and Ordering Information

kW	Volts	W/In <sup>2</sup>	Phase	Dimensions (In.)		Model	Stock	PCN	Wt. (Lbs.)
				A	B				
<b>TBL — Steel (20 W/In<sup>2</sup>)</b>									
3	240	20	1	11-1/8	13-7/8	TBL-1301	NS	192735	18
3	480	20	1	11-1/8	13-7/8	TBL-1301	NS	192727	18
4.5	240	20	1	11-1/8	15	TBL-4501	NS	192743	21
4.5	480	20	1	11-1/8	15	TBL-4501	NS	192751	21
6	240	20	1	11-7/8	20-5/16	TBL-6001	NS	192760	27
6	480	20	1	11-7/8	20-5/16	TBL-6001	NS	192778	27
7.5	240	20	1	14-5/8	25-9/16	TBL-7501	NS	192786	35
7.5	480	20	1	14-5/8	25-9/16	TBL-7501	NS	192794	35
<b>TBL-A — INCOLOY® (20 W/In<sup>2</sup>)</b>									
3	240	20	1	11-1/8	13-7/8	TBL-A-131	NS	192807	18
3	480	20	1	11-1/8	13-7/8	TBL-A-131	NS	192815	18
4.5	240	20	1	11-1/8	15	TBL-A-451	NS	192823	21
4.5	480	20	1	11-1/8	15	TBL-A-451	NS	192831	21
6	240	20	1	11-7/8	20-5/16	TBL-A-601	NS	192840	27
6	480	20	1	11-7/8	20-5/16	TBL-A-601	NS	192851	27
7.5	240	20	1	14-5/8	25-9/16	TBL-A-751	NS	192866	35
7.5	480	20	1	14-5/8	25-9/16	TBL-A-751	NS	192874	35
<b>Stock Status:</b> S = stock AS = assembly stock NS = non-stock <b>To Order</b> —Specify model, PCN, kW, volts, phase and quantity.									