

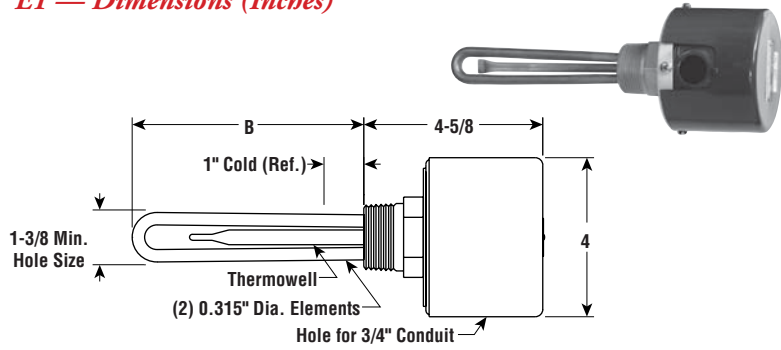
Immersion

MTS-1

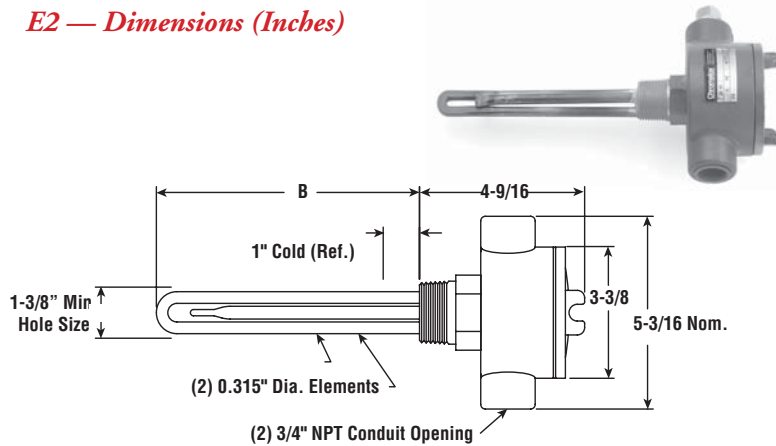
Process Water Applications

- 1-1/4" NPT Stainless Steel Passivated Screw Plug
- Stainless Steel Passivated Elements
- High Watt Density (43 - 86 W/In²)
- 1 - 2 kW
- Without Thermostat
- 120 and 240 Volt, Single Phase
- General Purpose, Moisture Resistant/Explosion Resistant Terminal Enclosure or Moisture Resistant

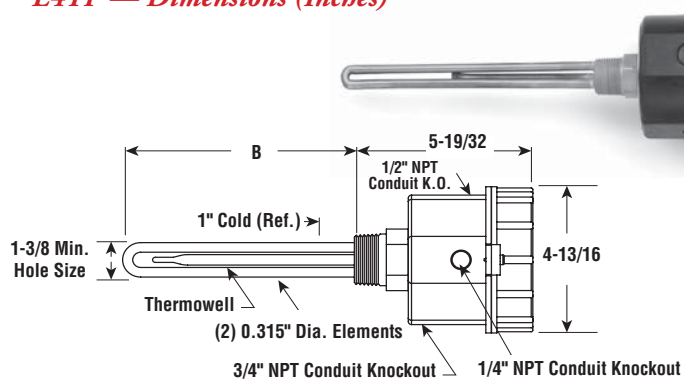
E1 — Dimensions (Inches)



E2 — Dimensions (Inches)



E4TP — Dimensions (Inches)



Specifications and Ordering Information

						E1 General Purpose ¹				E2 Moisture Resistant/ Explosion Resistant ²				E4 Moisture Resistant			
kW	Volts	Phase	W/In ²	No. Elem.	DIM B (In.)	Model	Stock	PCN	Wt. (Lbs.)	Model	Stock	PCN	Wt. (Lbs.)	Model	Stock	PCN	Wt. (Lbs.)
1	120	1	43	2	6-1/8	MTS-110-3	AS	037807	2	MTS-110-3E2	AS	037882	5	MTS-110-3E4TP	AS	060599	2
1	240	1	43	2	6-1/8	MTS-110-3	AS	037815	2	MTS-110-3E2	AS	037890	5	MTS-110-3E4TP	AS	060601	2
1.2	120	1	53	2	6-1/8	MTS-112	AS	037823	2	MTS-112E2	AS	037903	5	MTS-112E4TP	AS	060610	2
1.2	240	1	53	2	6-1/8	MTS-112	AS	037831	2	MTS-112E2	AS	037911	5	MTS-112E4TP	AS	060628	2
1.5	120	1	65	2	6-1/8	MTS-115	AS	037840	2	MTS-115E2	AS	037920	5	MTS-115E4TP	AS	060636	2
1.5	240	1	65	2	6-1/8	MTS-115	AS	037858	2	MTS-115E2	AS	037938	5	MTS-115E4TP	AS	060644	2
2	120	1	86	2	6-1/8	MTS-120	AS	037866	2	MTS-120E2	AS	037946	5	MTS-120E4TP	AS	060652	2
2	240	1	86	2	6-1/8	MTS-120	AS	037874	2	MTS-120E2	AS	037954	5	MTS-120E4TP	AS	060660	2

Stock Status: S = stock AS = assembly stock NS = non-stock
To Order—Specify model, volts, phase, kW, PCN and quantity.



1. Heaters with General Purpose Enclosures are UL Listed and CSA Certified.
2. Heaters with Moisture Resistant/Explosion Resistant Enclosures are CSA NRTL/C Certified.

Same-day shipping on stock item orders received before 4 pm CST. 3-day shipping on assembly-stock items.