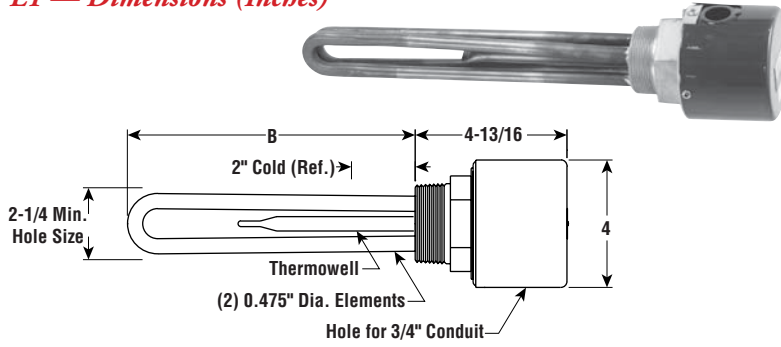


Immersion

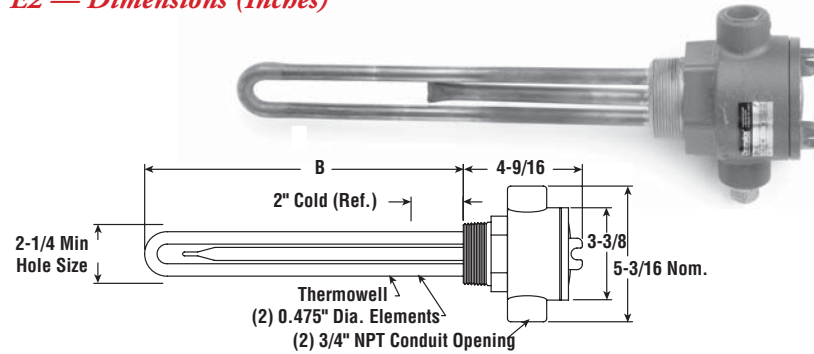
MTO-2 Medium Weight Oil Applications

- 2" NPT Steel Screw Plug
- Steel Sheath Elements
- 15 W/In²
- 2 - 6 kW
- Without Thermostat
- 240 and 480 Volt, Single Phase
- General Purpose, Moisture Resistant/Explosion Resistant Terminal Enclosure or Moisture Resistant

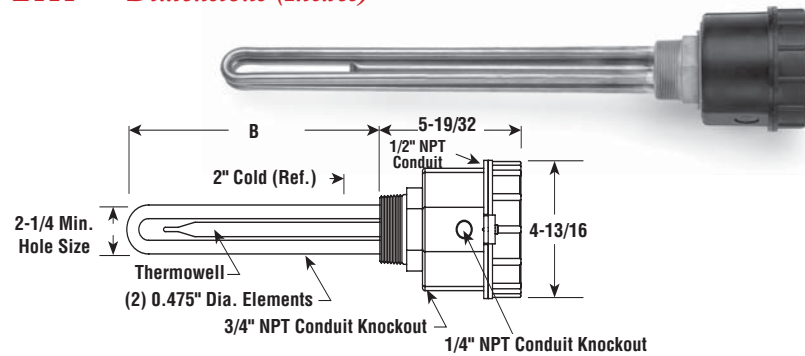
E1 — Dimensions (Inches)



E2 — Dimensions (Inches)



E4TP — Dimensions (Inches)



Specifications and Ordering Information

| | | | | | | E1 General Purpose ¹ | | | | E2 Moisture Resistant/ Explosion Resistant ² | | | | E4 Moisture Resistant | | | |
|------|-------|-------|-------------------|-----------|-------------|---------------------------------|-------|--------|------------|--|-------|--------|------------|-----------------------|-------|--------|------------|
| kW | Volts | Phase | W/In ² | No. Elem. | DIM B (In.) | Model | Stock | PCN | Wt. (Lbs.) | Model | Stock | PCN | Wt. (Lbs.) | Model | Stock | PCN | Wt. (Lbs.) |
| 2 | 240 | 1 | 15 | 2 | 24-7/8 | MTO-2020 | AS | 323766 | 4 | MTO-2020E2 | AS | 323774 | 7 | MTO-2020E4TP | AS | 062893 | 10 |
| 2 | 480 | 1 | 15 | 2 | 24-7/8 | MTO-2020 | AS | 323782 | 4 | MTO-2020E2 | AS | 323790 | 7 | MTO-2020E4TP | AS | 062906 | 10 |
| 2.66 | 240 | 1 | 15 | 2 | 32-3/4 | MTO-2026 | AS | 323803 | 6 | MTO-2026E2 | AS | 323811 | 9 | MTO-2026E4TP | AS | 062914 | 12 |
| 2.66 | 480 | 1 | 15 | 2 | 32-3/4 | MTO-2026 | AS | 323820 | 6 | MTO-2026E2 | AS | 323838 | 9 | MTO-2026E4TP | AS | 062922 | 12 |
| 3.33 | 240 | 1 | 15 | 2 | 40-1/4 | MTO-2033 | AS | 323846 | 7 | MTO-2033E2 | AS | 323854 | 10 | MTO-2033E4TP | AS | 062930 | 13 |
| 3.33 | 480 | 1 | 15 | 2 | 40-1/4 | MTO-2033 | AS | 323862 | 7 | MTO-2033E2 | AS | 323870 | 10 | MTO-2033E4TP | AS | 062949 | 13 |
| 4 | 208 | 1 | 15 | 2 | 47-3/4 | MTO-2040 | AS | 323889 | 7 | MTO-2040E2 | AS | 323897 | 10 | MTO-2040E4TP | AS | 062957 | 13 |
| 4 | 240 | 1 | 15 | 2 | 47-3/4 | MTO-2040 | AS | 323900 | 7 | MTO-2040E2 | AS | 323918 | 10 | MTO-2040E4TP | AS | 062965 | 13 |
| 4 | 480 | 1 | 15 | 2 | 47-3/4 | MTO-2040 | AS | 323926 | 7 | MTO-2040E2 | AS | 323934 | 10 | MTO-2040E4TP | AS | 062973 | 13 |
| 5 | 240 | 1 | 15 | 2 | 57-1/2 | MTO-2050 | AS | 323942 | 8 | MTO-2050E2 | AS | 323950 | 11 | MTO-2050E4TP | AS | 062981 | 14 |
| 5 | 480 | 1 | 15 | 2 | 57-1/2 | MTO-2050 | AS | 323969 | 8 | MTO-2050E2 | AS | 323977 | 11 | MTO-2050E4TP | AS | 062990 | 14 |
| 6 | 240 | 1 | 15 | 2 | 67-3/4 | MTO-2060 | AS | 323985 | 9 | MTO-2060E2 | AS | 323993 | 12 | MTO-2060E4TP | AS | 063001 | 15 |
| 6 | 480 | 1 | 15 | 2 | 67-3/4 | MTO-2060 | AS | 324005 | 9 | MTO-2060E2 | AS | 324013 | 12 | MTO-2060E4TP | AS | 063010 | 15 |

Stock Status: S = stock AS = assembly stock NS = non-stock
To Order—Specify model, volts, phase, kW, PCN and quantity.



Same-day shipping on stock item orders received before 4 pm CST.
3-day shipping on assembly-stock items.

1. Heaters with General Purpose Enclosures are UL Recognized and CSA Certified.
2. Heaters with Moisture Resistant/Explosion Resistant Enclosures are CSA NRTL/C Certified.