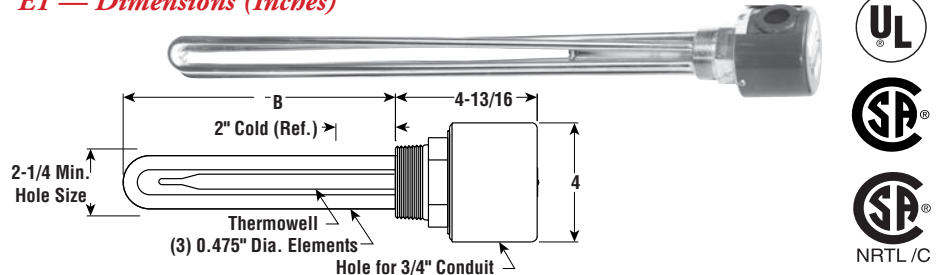


Immersion

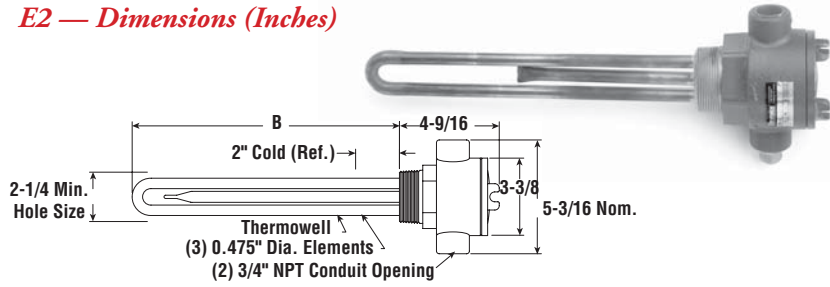
EMTS-3 Process Water Applications

- 2" NPT Stainless Steel Passivated Screw Plug
- Stainless Steel Passivated Sheath Elements
- High Watt Density (38 - 47 W/In²)
- 3 - 18 kW
- Without Thermostat
- 208, 240 and 480 Volt, 1 and 3 Phase
- General Purpose, Moisture Resistant/Explosion Resistant Terminal Enclosure or Moisture Resistant

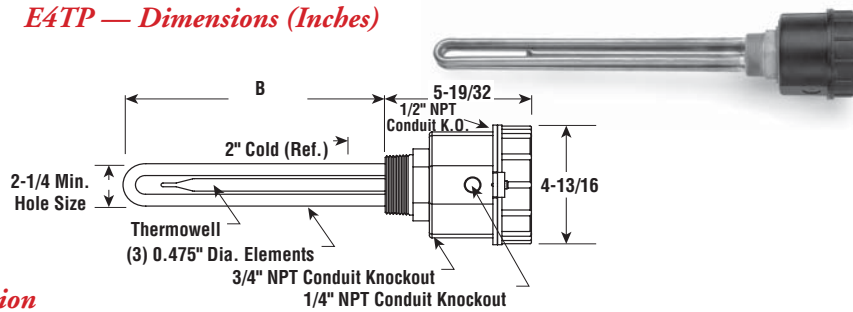
E1 — Dimensions (Inches)



E2 — Dimensions (Inches)



E4TP — Dimensions (Inches)



Specifications and Ordering Information

							E1 General Purpose ¹				E2 Moisture Resistant/ Explosion Resistant ²				E4 Moisture Resistant			
kW	Volts	Phase	W/In ²	No. Elem.	DIM B (In.)	Model	Stock	PCN	Wt. (Lbs.)	Model	Stock	PCN	Wt. (Lbs.)	Model	Stock	PCN	Wt. (Lbs.)	
3	208	3	47	3	7-3/4	EMTS-330	AS	092021	5	EMTS-330E2	AS	092080	8	EMTS-330E4TP	AS	061794	5	
3	240	1	47	3	7-3/4	EMTS-330	AS	092030	5	EMTS-330E2	AS	092099	8	EMTS-330E4TP	AS	061807	5	
3	240	3	47	3	7-3/4	EMTS-330	AS	092048	5	EMTS-330E2	AS	092101	8	EMTS-330E4TP	AS	061815	5	
3	480	1	47	3	7-3/4	EMTS-330	NS	092056	5	EMTS-330E2	NS	092110	8	EMTS-330E4TP	AS	061823	5	
3	480	3	47	3	7-3/4	EMTS-330	S	092064	5	EMTS-330E2	AS	092128	8	EMTS-330E4TP	AS	061831	5	
4.5	208	1	44	3	11-3/4	EMTS-345	AS	092136	6	EMTS-345E2	AS	092195	9	EMTS-345E4TP	AS	061840	6	
4.5	208	3	44	3	11-3/4	EMTS-345	AS	092144	6	EMTS-345E2	AS	092208	9	EMTS-345E4TP	AS	061858	6	
4.5	240	1	44	3	11-3/4	EMTS-345	AS	092152	6	EMTS-345E2	AS	092216	9	EMTS-345E4TP	AS	061866	6	
4.5	240	3	44	3	11-3/4	EMTS-345	AS	092160	6	EMTS-345E2	AS	092224	9	EMTS-345E4TP	AS	061874	6	
4.5	480	1	44	3	11-3/4	EMTS-345	AS	092179	6	EMTS-345E2	AS	092232	9	EMTS-345E4TP	AS	061882	6	
4.5	480	3	44	3	11-3/4	EMTS-345	AS	092187	6	EMTS-345E2	AS	092240	9	EMTS-345E4TP	AS	061890	6	
6	208	3	38	3	17-3/4	EMTS-360	AS	092267	6	EMTS-360E2	AS	092320	9	EMTS-360E4TP	AS	061911	6	
6	240	1	38	3	17-3/4	EMTS-360	AS	092275	6	EMTS-360E2	AS	092339	9	EMTS-360E4TP	AS	061920	6	
6	240	3	38	3	17-3/4	EMTS-360	AS	092283	6	EMTS-360E2	AS	092347	9	EMTS-360E4TP	AS	061938	6	
6	480	1	38	3	17-3/4	EMTS-360	AS	092291	6	EMTS-360E2	AS	092355	9	EMTS-360E4TP	AS	061946	6	
6	480	3	38	3	17-3/4	EMTS-360	S	092304	6	EMTS-360E2	AS	092363	9	EMTS-360E4TP	AS	061954	6	
7.5	208	1	43	3	19-1/2	EMTS-375	AS	092371	6	EMTS-375E2	AS	092435	9	EMTS-375E4TP	AS	061962	6	
7.5	208	3	43	3	19-1/2	EMTS-375	AS	092380	6	EMTS-375E2	AS	092443	9	EMTS-375E4TP	AS	061970	6	
7.5	240	1	43	3	19-1/2	EMTS-375	AS	092398	6	EMTS-375E2	AS	092451	9	EMTS-375E4TP	AS	061989	6	
7.5	240	3	43	3	19-1/2	EMTS-375	AS	092400	6	EMTS-375E2	AS	092460	9	EMTS-375E4TP	AS	061997	6	
7.5	480	1	43	3	19-1/2	EMTS-375	AS	092419	6	EMTS-375E2	AS	092478	9	EMTS-375E4TP	AS	062009	6	
7.5	480	3	43	3	19-1/2	EMTS-375	AS	092427	6	EMTS-375E2	AS	092486	9	EMTS-375E4TP	AS	062017	6	
9	208	1	40	3	24-7/8	EMTS-390	AS	092494	7	EMTS-390E2	AS	092558	10	EMTS-390E4TP	AS	062025	7	
9	208	3	40	3	24-7/8	EMTS-390	AS	092507	7	EMTS-390E2	AS	092566	10	EMTS-390E4TP	AS	062033	7	
9	240	1	40	3	24-7/8	EMTS-390	AS	092515	7	EMTS-390E2	AS	092574	10	EMTS-390E4TP	AS	062041	7	
9	240	3	40	3	24-7/8	EMTS-390	S	092523	7	EMTS-390E2	AS	092582	10	EMTS-390E4TP	AS	062050	7	
9	480	1	40	3	24-7/8	EMTS-390	AS	092531	7	EMTS-390E2	AS	092590	10	EMTS-390E4TP	AS	062068	7	
9	480	3	40	3	24-7/8	EMTS-390	S	092540	7	EMTS-390E2	AS	092603	10	EMTS-390E4TP	AS	062076	7	

Stock Status: S = stock AS = assembly stock NS = non-stock
To Order—Specify model, volts, phase, kW, PCN and quantity.



1. Heaters with General Purpose Enclosures are UL Listed & CSA Certified except Models with *(Exceeds 48 Amps).
2. Heaters with Moisture Resistant/Explosion Resistant Enclosures are CSA NRTL/C Certified except Models with *(Exceeds 48 Amps).

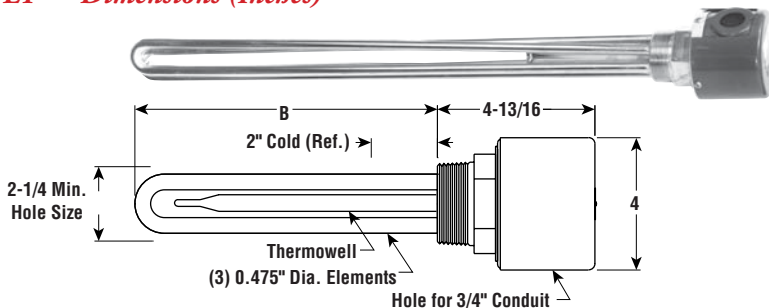
Same-day shipping on stock item orders received before 4 pm CST.
 3-day shipping on assembly-stock items

Immersion

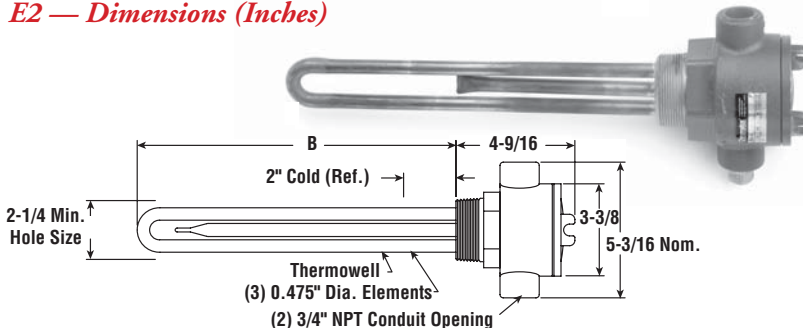
EMTS-3 Process Water Applications (cont'd.)

- 2" NPT Stainless Steel Passivated Screw Plug
- Stainless Steel Passivated Sheath Elements
- High Watt Density (38 - 47 W/In²)
- 3 - 18 kW
- Without Thermostat
- 208, 240 and 480 Volt, 1 and 3 Phase
- General Purpose, Moisture Resistant/Explosion Resistant Terminal Enclosure or Moisture Resistant

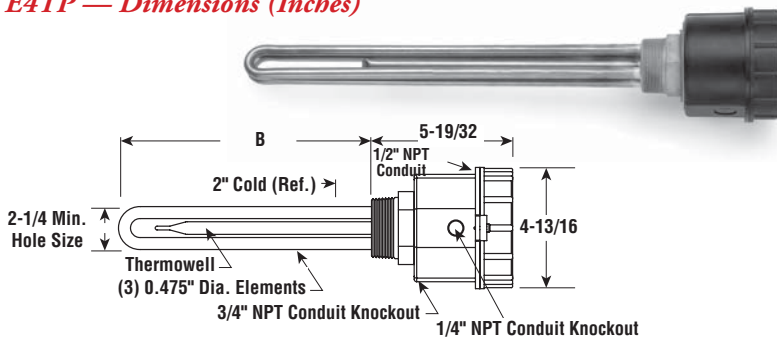
E1 — Dimensions (Inches)



E2 — Dimensions (Inches)



E4TP — Dimensions (Inches)



Specifications and Ordering Information

						E1 General Purpose ¹				E2 Moisture Resistant/ Explosion Resistant ²				E4 Moisture Resistant			
kW	Volts	Phase	W/In ²	No. Elem.	DIM B (In.)	Model	Stock	PCN	Wt. (Lbs.)	Model	Stock	PCN	Wt. (Lbs.)	Model	Stock	PCN	Wt. (Lbs.)
12	208	1	40	3	32-7/16	EMTS-3120*	AS	092611	9	EMTS-3120E2*	AS	092670	12	EMTS-3120E4TP*	AS	061612	9
12	208	3	40	3	32-7/16	EMTS-3120	AS	092620	9	EMTS-3120E2	AS	092689	12	EMTS-3120E4TP	AS	061620	9
12	240	1	40	3	32-7/16	EMTS-3120*	AS	092638	9	EMTS-3120E2*	AS	092697	12	EMTS-3120E4TP*	AS	061639	9
12	240	3	40	3	32-7/16	EMTS-3120	S	092646	9	EMTS-3120E2	AS	092700	12	EMTS-3120E4TP	AS	061647	9
12	480	1	40	3	32-7/16	EMTS-3120	AS	092654	9	EMTS-3120E2	AS	092718	12	EMTS-3120E4TP	AS	061655	9
12	480	3	40	3	32-7/16	EMTS-3120	AS	092662	9	EMTS-3120E2	AS	092726	12	EMTS-3120E4TP	AS	061663	9
15	208	1	41	3	40-3/8	EMTS-3150*	AS	092734	10	EMTS-3150E2*	AS	092793	13	EMTS-3150E4TP*	AS	061671	10
15	208	3	41	3	40-3/8	EMTS-3150	AS	092742	10	EMTS-3150E2	AS	092806	13	EMTS-3150E4TP	AS	061680	10
15	240	1	41	3	40-3/8	EMTS-3150*	AS	092750	10	EMTS-3150E2*	AS	092814	13	EMTS-3150E4TP*	AS	061398	10
15	240	3	41	3	40-3/8	EMTS-3150	S	092769	10	EMTS-3150E2	AS	092822	13	EMTS-3150E4TP	AS	061700	10
15	480	1	41	3	40-3/8	EMTS-3150	AS	092777	10	EMTS-3150E2	AS	092830	13	EMTS-3150E4TP	AS	061719	10
15	480	3	41	3	40-3/8	EMTS-3150	S	092785	10	EMTS-3150E2	AS	092849	13	EMTS-3150E4TP	AS	061727	10
18	208	1	41	3	47-7/8	EMTS-3180*	AS	092857	12	EMTS-3180E2*	AS	092910	15	EMTS-3180E4TP*	AS	061735	12
18	208	3	41	3	47-7/8	EMTS-3180*	AS	092865	12	EMTS-3180E2*	AS	092929	15	EMTS-3180E4TP*	AS	061743	12
18	240	1	41	3	47-7/8	EMTS-3180*	AS	092873	12	EMTS-3180E2*	AS	092937	15	EMTS-3180E4TP*	AS	061751	12
18	240	3	41	3	47-7/8	EMTS-3180	AS	092881	12	EMTS-3180E2	AS	092945	15	EMTS-3180E4TP	AS	061760	12
18	480	1	41	3	47-7/8	EMTS-3180	AS	092890	12	EMTS-3180E2	AS	092953	15	EMTS-3180E4TP	AS	061778	12
18	480	3	41	3	47-7/8	EMTS-3180	S	092902	12	EMTS-3180E2	AS	092961	15	EMTS-3180E4TP	AS	061786	12

Stock Status: S = stock AS = assembly stock NS = non-stock
To Order—Specify model, volts, phase, kW, PCN and quantity.

1. Heaters with General Purpose Enclosures are UL Listed and CSA Certified except Models with *(Exceeds 48 Amps).
2. Heaters with Moisture Resistant/Explosion Resistant Enclosures are CSA NRTL/C Certified except Models with *(Exceeds 48 Amps).

FASTShip

Same-day shipping on stock item orders received before 4 pm CST.
3-day shipping on assembly-stock items.