

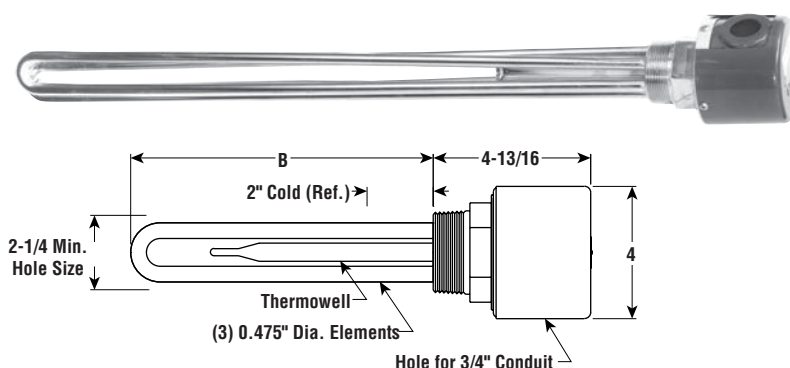
Immersion

EMTS-3

Mildly Corrosive Solution Applications

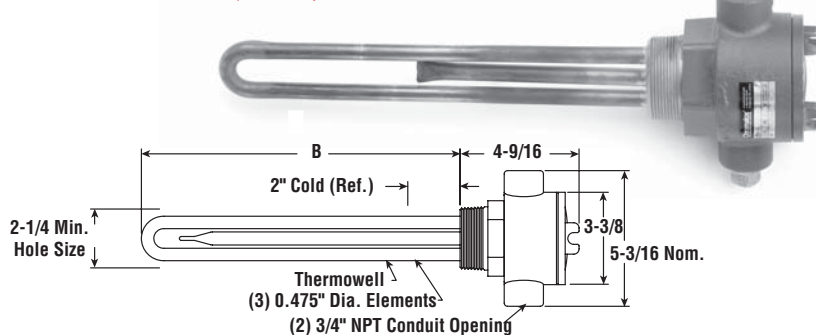
- 2" NPT Stainless Steel Passivated Screw Plug
- Stainless Steel Passivated Sheath Elements
- Medium Watt Density (23 W/In²)
- 3 - 9 kW
- Without Thermostat
- 240 and 480 Volt, Three Phase
- General Purpose, Moisture Resistant/Explosion Resistant Terminal Enclosure or Moisture Resistant

E1 — Dimensions (Inches)

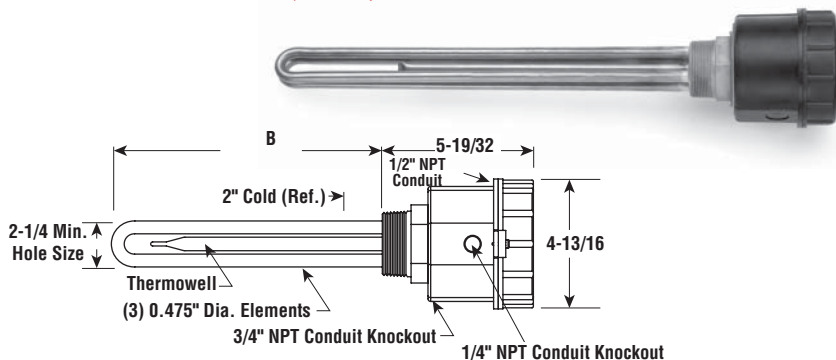


SCREW PLUG

E2 — Dimensions (Inches)



E4TP — Dimensions (Inches)



Specifications and Ordering Information

| | | | | | | E1 General Purpose ¹ | | | | E2 Moisture Resistant/ Explosion Resistant ² | | | | E4 Moisture Resistant | | | |
|-----|-------|-------|-------------------|-----------|-------------|---------------------------------|-------|--------|------------|--|-------|--------|------------|-----------------------|-------|--------|------------|
| kW | Volts | Phase | W/In ² | No. Elem. | DIM B (In.) | Model | Stock | PCN | Wt. (Lbs.) | Model | Stock | PCN | Wt. (Lbs.) | Model | Stock | PCN | Wt. (Lbs.) |
| 3 | 240 | 3 | 23 | 3 | 17-3/4 | EMTS-3030 | AS | 091686 | 6 | EMTS-3030E2 | AS | 033398 | 9 | EMTS-3030E4TP | AS | 061436 | 12 |
| 3 | 480 | 3 | 23 | 3 | 17-3/4 | EMTS-3030 | AS | 091694 | 6 | EMTS-3030E2 | AS | 033400 | 9 | EMTS-3030E4TP | AS | 061444 | 12 |
| 4.5 | 240 | 3 | 23 | 3 | 24-7/8 | EMTS-3045 | AS | 091707 | 7 | EMTS-3045E2 | AS | 033419 | 10 | EMTS-3045E4TP | AS | 061452 | 13 |
| 4.5 | 480 | 3 | 23 | 3 | 24-7/8 | EMTS-3045 | AS | 091715 | 7 | EMTS-3045E2 | AS | 033427 | 10 | EMTS-3045E4TP | AS | 061460 | 13 |
| 6 | 240 | 3 | 23 | 3 | 32-7/16 | EMTS-3060 | AS | 091723 | 9 | EMTS-3060E2 | AS | 033435 | 12 | EMTS-3060E4TP | AS | 061479 | 15 |
| 6 | 480 | 3 | 23 | 3 | 32-7/16 | EMTS-3060 | AS | 091731 | 9 | EMTS-3060E2 | AS | 033443 | 12 | EMTS-3060E4TP | AS | 061487 | 15 |
| 7.5 | 240 | 3 | 23 | 3 | 40-3/8 | EMTS-3075 | AS | 091740 | 10 | EMTS-3075E2 | AS | 033451 | 13 | EMTS-3075E4TP | AS | 061575 | 16 |
| 7.5 | 480 | 3 | 23 | 3 | 40-3/8 | EMTS-3075 | AS | 091758 | 10 | EMTS-3075E2 | AS | 033460 | 13 | EMTS-3075E4TP | AS | 061583 | 16 |
| 9 | 240 | 3 | 23 | 3 | 47-7/8 | EMTS-3090 | AS | 091766 | 12 | EMTS-3090E2 | AS | 033478 | 15 | EMTS-3090E4TP | AS | 061591 | 18 |
| 9 | 480 | 3 | 23 | 3 | 47-7/8 | EMTS-3090 | AS | 091774 | 12 | EMTS-3090E2 | AS | 033486 | 15 | EMTS-3090E4TP | AS | 061604 | 18 |

Stock Status: S = stock AS = assembly stock NS = non-stock
To Order—Specify model, volts, phase, kW, PCN and quantity.



1. Heaters with General Purpose Enclosures are UL Listed and CSA Certified.
2. Heaters with Moisture Resistant/Explosion Resistant Enclosures are CSA NRTL/C Certified.

Same-day shipping on stock item orders received before 4 pm CST.
 3-day shipping on assembly-stock items.