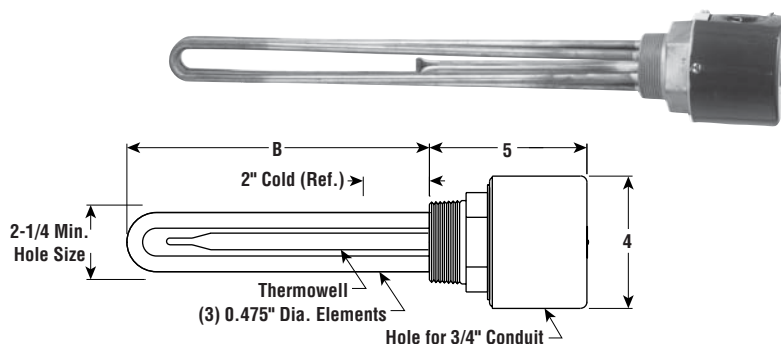


# Immersion

## EMT-3 Clean Water Applications

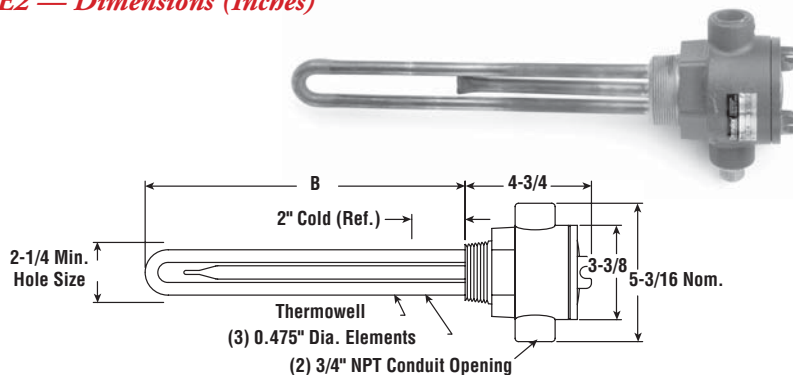
- 2" NPT Brass Screw Plug
- Copper Sheath Elements
- High Watt Density (61 - 67 W/In<sup>2</sup>)
- 3 - 12 kW
- Without Thermostat
- 240 and 480 Volt, Three Phase
- General Purpose, Moisture Resistant/Explosion Resistant Terminal Enclosure or Moisture Resistant

*E1 — Dimensions (Inches)*

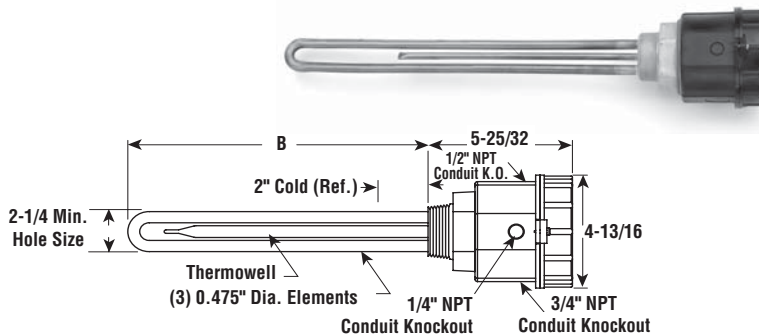


SCREW PLUG

*E2 — Dimensions (Inches)*



*E4TP — Dimensions (Inches)*



### Specifications and Ordering Information

							E1 General Purpose <sup>1</sup>				E2 Moisture Resistant Explosion Resistant <sup>2</sup>				E4 Moisture Resistant			
kW	Volts	Phase	W/In <sup>2</sup>	No. Elem.	DIM B (In.)	Model	Stock	PCN	Wt. (Lbs.)	Model	Stock	PCN	Wt. (Lbs.)	Model	Stock	PCN	Wt. (Lbs.)	
3	240	3	67	3	7	EMT-303	S	326220	5	EMT-303E2	AS	326300	8	EMT-303E4TP	AS	060679	5	
3	480	3	67	3	7	EMT-303	S	326238	5	EMT-303E2	AS	326318	8	EMT-303E4TP	AS	060687	5	
6	240	3	67	3	12	EMT-306	S	326246	6	EMT-306E2	AS	326326	9	EMT-306E4TP	AS	060695	6	
6	480	3	67	3	12	EMT-306	S	326254	6	EMT-306E2	AS	326334	9	EMT-306E4TP	AS	060708	6	
9	240	3	65	3	17-1/2	EMT-309	AS	326262	7	EMT-309E2	AS	326342	10	EMT-309E4TP	AS	060716	7	
9	480	3	65	3	17-1/2	EMT-309	S	326270	7	EMT-309E2	AS	326350	10	EMT-309E4TP	AS	060724	7	
12	240	3	61	3	24	EMT-312	S	326289	8	EMT-312E2	AS	326369	11	EMT-312E4TP	AS	060732	8	
12	480	3	61	3	24	EMT-312	S	326297	8	EMT-312E2	AS	326377	11	EMT-312E4TP	AS	060740	8	

**Stock Status:** S = stock AS = assembly stock NS = non-stock  
**To Order**—Specify model, volts, phase, kW, PCN and quantity.

1. Heaters with General Purpose Enclosures are UL Listed and CSA Certified.
2. Heaters with Moisture Resistant/Explosion Resistant Enclosures are CSA NRTL/C Certified.

**FASTShip**

Same-day shipping on stock item orders received before 4 pm CST.  
 3-day shipping on assembly-stock items.