

## 'FAW' Hazardous Area Air Warmers

The Heatex 'FAW' range of Air Warmers has been designed for heating small work or storage areas and similar applications, located in Zone 1 or 2 Hazardous Areas, where the flammable atmosphere is a group IIA, IIB or IIC Gas.

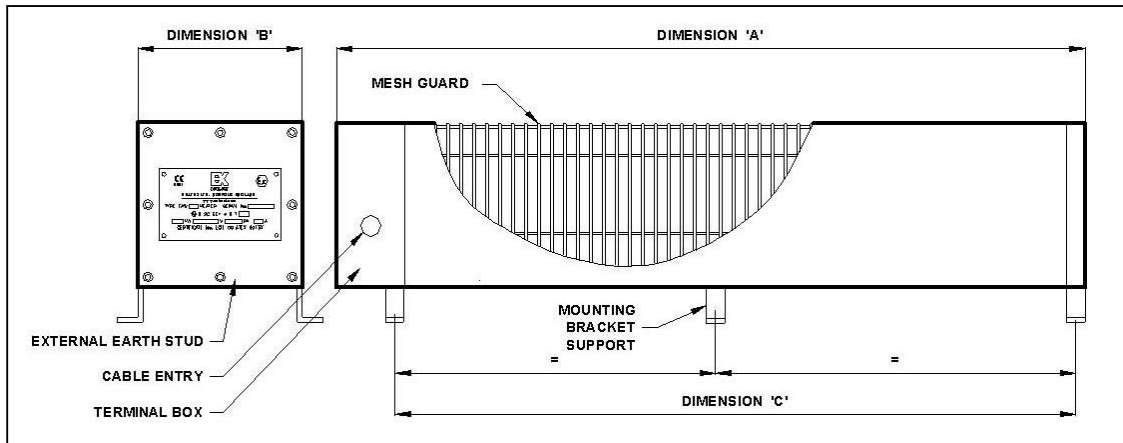


### FEATURES

- Certified to meet the ATEX directive 94/9/EC.
- Lightweight enclosure certified Weatherproof to IP66/67.
- Suitable for single or three phase (3 or 4 wire) a.c. and d.c. Power supplies.
- Temperature classifications T2, T3 and T4 available.
- Suitable for floor or wall mounting (additional brackets may be required).
- A 20mm cable entry is provided as standard, additional entries can be provided as required.
- Coated Mild Steel or Stainless Steel.
- Optional range of flameproof room thermostats can also be provided.
- Suitable for ambient temperatures from -60 °C to +60 °C.
- Individually replaceable heating elements.

### TYPICAL APPLICATIONS

- Aircraft Hangers
- Fuel servicing areas
- Chemical Plants
- Offshore Installations
- Battery Stores
- Gas Installations



**Rating** Standard heater ratings and sizes are shown below. Other ratings to suit client individual requirements can be provided on request.

Model	T' Class	Rating Watts	Voltage	Supports	Dimensions			Weight (kg)
					A	B	C	
<b>Compact Range</b>								
FAW-C-250	T2/T3	250	254 or 110	2	350	160	282	5
FAW-C-500	T2/T3	500	254 or 110	2	350	160	282	6
FAW-C-750	T2/T3	750	254 or 110	2	615	160	545	6
FAW-C-1000	T2/T3	1000	254 or 110	2	615	160	545	9
<b>Standard Range</b>								
FAW250	T2/T3	250	254	2	971	160	860	8
FAW500	T2/T3	500	254 or 110	2	971	160	860	10
FAW750	T2/T3	750	254/440 OR 110	2	971	160	860	12
FAW1000	T2/T3	1000	254/440 OR 110	2	1221	160	1120	14
FAW1500	T2/T3	1500	254/440 OR 110	3	1741	160	1640	20
FAW2000	T2/T3	2000	254 or 110	3	1741	272	1640	32
FAW2500	T2/T3	2500	254	3	1741	272	1640	38
FAW3000	T2/T3	3000	254/440	3	1741	272	1640	42
FAW250	T4	250	254	3	1886	160	1784	13
FAW500	T4	500	254	3	1886	160	1784	17
FAW750	T4	750	254/440	3	1886	160	1784	21
FAW1000	T4	1000	254	3	1886	272	1784	33
FAW1250	T4	1250	254	3	1886	272	1784	38
FAW1500	T4	1500	254/440	3	1886	272	1784	42

**Certification** ATEX certified II 2 G EEx'e' II T2 to T4 EN50 014 & EN50 019.

**Enclosure** Lightweight Stainless Steel or Coated Mild Steel.

**Controls** If required the heaters can be controlled from the Heatex range of remote mounted thermostats available for use in safe or Hazardous Areas. (See separate data sheet).

**Mounting** Support feet pre-drilled suitable for floor mounting supplied as standard. (Wall mounting brackets available on request).

**Voltage** Any electrical supply may be specified up to 440v.